



In Clear Electronics

WWW.IC-1000.COM

THE DATASHEET OF FPGA



www.ic-1000.com



info@ic-1000.com



[+00852-56412601](tel:+00852-56412601)



[+00852-56412601](https://wa.me/0085256412601)



Unit B, 13/F, Shing Lee Commercial Building
No.8 Wing Kut Street, Central HK

Virtex-6 FPGA Electrical Characteristics

Virtex®-6 FPGAs are available in -3, -2, -1, and -1L speed grades, with -3 having the highest performance. Virtex-6 FPGA DC and AC characteristics are specified in commercial, extended, industrial, and military temperature ranges. Unless noted, the Virtex-6Q FPGA DC and AC characteristics are equivalent to the commercial specifications. Except for the operating temperature range or unless otherwise noted, all the DC and AC electrical parameters are the same for a particular speed grade (that is, the timing characteristics of a -1 speed grade industrial device are the same as for a -1 speed grade commercial device). However, only selected speed grades and/or devices are available in the extended, industrial, or military temperature ranges.

All supply voltage and junction temperature specifications are representative of worst-case conditions. The parameters included are common to popular designs and typical applications.

Available device and package combinations can be found at:

- [DS150](#): Virtex-6 Family Overview
- [DS155](#): Defense-Grade Virtex-6Q Family Overview

This Virtex-6 FPGA data sheet, part of an overall set of documentation on the Virtex-6 FPGAs, is available on the Xilinx website at: www.xilinx.com/support/index.html/content/xilinx/en/supportNav/silicon_devices/fpga/virtex-6.html.

Virtex-6 FPGA DC Characteristics

Table 1: Absolute Maximum Ratings ⁽¹⁾

Symbol	Description	Range	Units
V _{CCINT}	Internal supply voltage relative to GND	-0.5 to 1.1	V
	For -1L devices: Internal supply voltage relative to GND	-0.5 to 1.0	V
V _{CCAUX}	Auxiliary supply voltage relative to GND	-0.5 to 3.0	V
V _{CCO}	Output drivers supply voltage relative to GND	-0.5 to 3.0	V
V _{BATT}	Key memory battery backup supply	-0.5 to 3.0	V
V _{FS}	External voltage supply for eFUSE programming ⁽²⁾	-0.5 to 3.0	V
V _{REF}	Input reference voltage	-0.5 to 3.0	V
V _{IN} ⁽³⁾	2.5V or below I/O input voltage relative to GND ⁽⁴⁾ (user and dedicated I/Os)	-0.5 to V _{CCO} + 0.5	V
V _{TS}	Voltage applied to 3-state 2.5V or below output ⁽⁴⁾ (user and dedicated I/Os)	-0.5 to V _{CCO} + 0.5	V
T _{STG}	Storage temperature (ambient)	-65 to 150	°C
T _{SOL}	Maximum soldering temperature ⁽⁵⁾	+220	°C
T _j	Maximum junction temperature ⁽⁵⁾	+125	°C

Notes:

1. Stresses beyond those listed under Absolute Maximum Ratings might cause permanent damage to the device. These are stress ratings only, and functional operation of the device at these or any other conditions beyond those listed under Operating Conditions is not implied. Exposure to Absolute Maximum Ratings conditions for extended periods of time might affect device reliability.
2. When not programming eFUSE, connect V_{FS} to GND.
3. 2.5V I/O absolute maximum limit applied to DC and AC signals.
4. For I/O operation, refer to [UG361](#): *Virtex-6 FPGA SelectIO Resources User Guide*.
5. For soldering guidelines and thermal considerations, see [UG365](#): *Virtex-6 FPGA Packaging and Pinout Specification*.

Table 2: Recommended Operating Conditions

Symbol	Description	Min	Max	Units
V _{CCINT}	Internal supply voltage relative to GND for all devices except -1L devices.	0.95	1.05	V
	For -1L commercial temperature range devices: internal supply voltage relative to GND, T _j = 0°C to +85°C	0.87	0.93	V
	For -1L industrial temperature range devices: internal supply voltage relative to GND, T _j = -40°C to +100°C	0.91	0.97	V
V _{CCAUX}	Auxiliary supply voltage relative to GND	2.375	2.625	V
V _{CCO} ⁽¹⁾⁽²⁾⁽³⁾	Supply voltage relative to GND	1.14	2.625	V
V _{IN}	2.5V supply voltage relative to GND	GND – 0.20	2.625	V
	2.5V and below supply voltage relative to GND	GND – 0.20	V _{CCO} + 0.2	V
I _{IN} ⁽⁵⁾	Maximum current through any pin in a powered or unpowered bank when forward biasing the clamp diode.	–	10	mA
V _{BATT} ⁽⁶⁾	Battery voltage relative to GND	1.0	2.5	V
V _{FS} ⁽⁷⁾	External voltage supply for eFUSE programming	2.375	2.625	V
T _j	Junction temperature operating range for commercial (C) temperature devices	0	85	°C
	Junction temperature operating range for extended (E) temperature devices	0	100	°C
	Junction temperature operating range for industrial (I) temperature devices	–40	100	°C
	Junction temperature operating range for military (M) temperature devices	–55	125	°C

Notes:

1. Configuration data is retained even if V_{CCO} drops to 0V.
2. Includes V_{CCO} of 1.2V, 1.5V, 1.8V, and 2.5V.
3. The configuration supply voltage V_{CC_CONFIG} is also known as V_{CCO_0}.
4. All voltages are relative to ground.
5. A total of 100 mA per bank should not be exceeded.
6. V_{BATT} is required only when using bitstream encryption. If battery is not used, connect V_{BATT} to either ground or V_{CCAUX}.
7. During eFUSE programming, V_{FS} must be within the recommended operating range and T_j = +15°C to +85°C. Otherwise, V_{FS} can be connected to GND.

Table 3: DC Characteristics Over Recommended Operating Conditions (1)(2)

Symbol	Description	Min	Typ	Max	Units
V_{DRINT}	Data retention V_{CCINT} voltage (below which configuration data might be lost)	0.75	–	–	V
V_{DRI}	Data retention V_{CCAUX} voltage (below which configuration data might be lost)	2.0	–	–	V
I_{REF}	V_{REF} leakage current per pin	–	–	10	μ A
I_L	Input or output leakage current per pin (sample-tested)	–	–	10	μ A
$C_{IN}^{(3)}$	Die input capacitance at the pad	–	–	8	pF
I_{RPU}	Pad pull-up (when selected) @ $V_{IN} = 0V$, $V_{CCO} = 2.5V$	20	–	80	μ A
	Pad pull-up (when selected) @ $V_{IN} = 0V$, $V_{CCO} = 1.8V$	8	–	40	μ A
	Pad pull-up (when selected) @ $V_{IN} = 0V$, $V_{CCO} = 1.5V$	5	–	30	μ A
	Pad pull-up (when selected) @ $V_{IN} = 0V$, $V_{CCO} = 1.2V$	1	–	20	μ A
I_{RPD}	Pad pull-down (when selected) @ $V_{IN} = 2.5V$	3	–	80	μ A
I_{BATT}	Battery supply current	–	–	150	nA
n	Temperature diode ideality factor	–	1.0002	–	n
r	Series resistance	–	5	–	Ω

Notes:

1. Typical values are specified at nominal voltage, 25°C.
2. Maximum value specified for worst case process at 25°C.
3. This measurement represents the die capacitance at the pad, not including the package.

Important Note

Typical values for quiescent supply current are specified at nominal voltage, 85°C junction temperatures (T_j). Xilinx recommends analyzing static power consumption at $T_j = 85^\circ\text{C}$ because the majority of designs operate near the high end of the commercial temperature range. Quiescent supply current is specified by speed grade for Virtex-6 devices. Use the Xilinx Power Estimator (XPE) spreadsheet tool (download at <http://www.xilinx.com/power>) to calculate static power consumption for conditions other than those specified in Table 4.

Table 4: Typical Quiescent Supply Current

Symbol	Description	Device	Speed and Temperature Grade					Units	
			-3 (C)	-2 (C, E, & I)	-1 (C & I)	-1 (I & M) ⁽²⁾	-1L (C)		-1L (I) ⁽¹⁾
I_{CCINTQ}	Quiescent V_{CCINT} supply current	XC6VLX75T	927	927	927	N/A	656	741	mA
		XC6VLX130T	1563	1563	1563	N/A	1102	1245	mA
		XC6VLX195T	2059	2059	2059	N/A	1441	1628	mA
		XC6VLX240T	2478	2478	2478	N/A	1733	1957	mA
		XC6VLX365T	3001	3001	3001	N/A	2092	2363	mA
		XC6VLX550T ⁽³⁾	N/A	4515	4515	N/A	3147	3555	mA
		XC6VLX760 ⁽³⁾	N/A	5094	5094	N/A	3471	3921	mA
		XC6V SX315T	3476	3476	3476	N/A	2409	2721	mA
		XC6V SX475T ⁽³⁾	N/A	5227	5227	N/A	3622	4091	mA
		XC6VHX250T	2906	2906	2906	N/A	N/A	N/A	mA
		XC6VHX255T	2746	2746	2746	N/A	N/A	N/A	mA
		XC6VHX380T ⁽⁴⁾	4160	4160	4160	N/A	N/A	N/A	mA
		XC6VHX565T ⁽⁵⁾	N/A	5207	5207	N/A	N/A	N/A	mA
		XQ6VLX130T	N/A	1563	N/A	1563	N/A	1245	mA
		XQ6VLX240T	N/A	2478	N/A	2478	N/A	1957	mA
		XQ6VLX550T ⁽⁷⁾	N/A	N/A	N/A	4515	N/A	3555	mA
		XQ6V SX315T	N/A	3476	N/A	3476	N/A	2721	mA
		XQ6V SX475T ⁽⁷⁾	N/A	N/A	N/A	5227	N/A	4091	mA

Table 4: Typical Quiescent Supply Current (Cont'd)

Symbol	Description	Device	Speed and Temperature Grade					Units	
			-3 (C)	-2 (C, E, & I)	-1 (C & I)	-1 (I & M) ⁽²⁾	-1L (C)		-1L (I) ⁽¹⁾
I _{CCOQ}	Quiescent V _{CCO} supply current	XC6VLX75T	1	1	1	N/A	1	1	mA
		XC6VLX130T	1	1	1	N/A	1	1	mA
		XC6VLX195T	1	1	1	N/A	1	1	mA
		XC6VLX240T	2	2	2	N/A	2	2	mA
		XC6VLX365T	2	2	2	N/A	2	2	mA
		XC6VLX550T ⁽³⁾	N/A	3	3	N/A	3	3	mA
		XC6VLX760 ⁽³⁾	N/A	3	3	N/A	3	3	mA
		XC6VSX315T	2	2	2	N/A	2	2	mA
		XC6VSX475T ⁽³⁾	N/A	2	2	N/A	2	2	mA
		XC6VHX250T	1	1	1	N/A	N/A	N/A	mA
		XC6VHX255T	1	1	1	N/A	N/A	N/A	mA
		XC6VHX380T ⁽⁴⁾	2	2	2	N/A	N/A	N/A	mA
		XC6VHX565T ⁽⁵⁾	N/A	2	2	N/A	N/A	N/A	mA
		XQ6VLX130T	N/A	1	N/A	1	N/A	1	mA
		XQ6VLX240T	N/A	2	N/A	2	N/A	2	mA
		XQ6VLX550T ⁽⁷⁾	N/A	N/A	N/A	3	N/A	3	mA
		XQ6VSX315T	N/A	2	N/A	2	N/A	2	mA
		XQ6VSX475T ⁽⁷⁾	N/A	N/A	N/A	2	N/A	2	mA

Table 4: Typical Quiescent Supply Current (Cont'd)

Symbol	Description	Device	Speed and Temperature Grade						Units
			-3 (C)	-2 (C, E, & I)	-1 (C & I)	-1 (I & M) ⁽²⁾	-1L (C)	-1L (I) ⁽¹⁾	
I _{CCAUXQ}	Quiescent V _{CCAUX} supply current	XC6VLX75T	45	45	45	N/A	45	45	mA
		XC6VLX130T	75	75	75	N/A	75	75	mA
		XC6VLX195T	113	113	113	N/A	113	113	mA
		XC6VLX240T	135	135	135	N/A	135	135	mA
		XC6VLX365T	191	191	191	N/A	191	191	mA
		XC6VLX550T ⁽³⁾	N/A	286	286	N/A	286	286	mA
		XC6VLX760 ⁽³⁾	N/A	387	387	N/A	387	387	mA
		XC6VSX315T	186	186	186	N/A	186	186	mA
		XC6VSX475T ⁽³⁾	N/A	279	279	N/A	279	279	mA
		XC6VHX250T	152	152	152	N/A	N/A	N/A	mA
		XC6VHX255T	152	152	152	N/A	N/A	N/A	mA
		XC6VHX380T ⁽⁴⁾	227	227	227	N/A	N/A	N/A	mA
		XC6VHX565T ⁽⁵⁾	N/A	315	315	N/A	N/A	N/A	mA
		XQ6VLX130T ⁽⁶⁾	N/A	75	N/A	75	N/A	75	mA
		XQ6VLX240T ⁽⁶⁾	N/A	135	N/A	135	N/A	135	mA
		XQ6VLX550T ⁽⁷⁾	N/A	N/A	N/A	286	N/A	286	mA
		XQ6VSX315T ⁽⁶⁾	N/A	186	N/A	186	N/A	186	mA
		XQ6VSX475T ⁽⁷⁾	N/A	N/A	N/A	279	N/A	279	mA

Notes:

1. Typical values are specified at nominal voltage, 85°C junction temperatures (T_j). -1 and -2 industrial (I) grade devices have the same typical values as commercial (C) grade devices at 85°C, but higher values at 100°C. Use the XPE tool to calculate 100°C values. -1L industrial temperature range devices have the values specified in this column.
2. Use the XPE tool to calculate 125°C values for -1M temperature range devices.
3. The -2E extended temperature range (T_j = 0°C to +100°C) is only available in these devices. The -2I temperature range (T_j = -40°C to +100°C) is available for all other devices except the XC6VHX565T.
4. The XC6VHX380T is available with both -2E and -2I temperature ranges.
5. The XC6VHX565T is only available in the following temperature ranges: -1C, -1I, -2C, and -2E.
6. The XQ6VLX130T, XQ6VLX240T, and XQ6VSX315T are available in -2I, -1I, -1M, and -1LI temperature ranges.
7. The XQ6VLX550T and the XQ6VSX475T are only available in -1I and -1LI temperature ranges.
8. Typical values are for blank configured devices with no output current loads, no active input pull-up resistors, all I/O pins are 3-state and floating.
9. If DCI or differential signaling is used, more accurate quiescent current estimates can be obtained by using the XPE or XPower Analyzer (XPA) tools.

Power-On Power Supply Requirements

Xilinx FPGAs require a certain amount of supply current during power-on to insure proper device initialization. The actual current consumed depends on the power-on sequence and ramp rate of the power supply.

The recommended power-on sequence for Virtex-6 devices is V_{CCINT}, V_{CCAUX}, and V_{CCO} to meet the power-up current requirements listed in Table 5. V_{CCINT} can be powered up or down at any time, but power up current specifications can vary from Table 5. The device will have no physical damage or reliability concerns if V_{CCINT}, V_{CCAUX}, and V_{CCO} sequence cannot be followed.

If the recommended power-up sequence cannot be followed and the I/Os must remain 3-stated throughout configuration, then V_{CCAUX} must be powered prior to V_{CCO} or V_{CCAUX} and V_{CCO} must be powered by the same supply. Similarly, for power-down, the reverse V_{CCAUX} and V_{CCO} sequence is recommended if the I/Os are to remain 3-stated.

The GTH transceiver supplies must be powered using a MGTHAVCC, MGTHAVCCR_X, MGTHAVCCPLL, and MGTHAVTT sequence. There are no sequencing requirements for these supplies with respect to the other FPGA supply voltages. For more detail see [Table 27: GTH Transceiver Power Supply Sequencing](#). There are no sequencing requirements for the GTX transceivers power supplies.

[Table 5](#) shows the minimum current, in addition to I_{CCQ}, that are required by Virtex-6 devices for proper power-on and configuration. If the current minimums shown in [Table 4](#) and [Table 5](#) are met, the device powers on after all three supplies have passed through their power-on reset threshold voltages. The FPGA must be configured after applying V_{CCINT}, V_{CCAUX}, and V_{CCO} for the appropriate configuration banks. Once initialized and configured, use the XPE tools to estimate current drain on these supplies.

Table 5: Power-On Current for Virtex-6 Devices

Device	I _{CCINTMIN}	I _{CCAUXMIN}	I _{CCOMIN}	Units
	Typ ⁽¹⁾	Typ ⁽¹⁾	Typ ⁽¹⁾	
XC6VLX75T	See I _{CCINTQ} in Table 4	I _{CCAUXQ} + 10	I _{CCOQ} + 30 mA per bank	mA
XC6VLX130T	See I _{CCINTQ} in Table 4	I _{CCAUXQ} + 10	I _{CCOQ} + 30 mA per bank	mA
XC6VLX195T	See I _{CCINTQ} in Table 4	I _{CCAUXQ} + 40	I _{CCOQ} + 30 mA per bank	mA
XC6VLX240T	See I _{CCINTQ} in Table 4	I _{CCAUXQ} + 40	I _{CCOQ} + 30 mA per bank	mA
XC6VLX365T	See I _{CCINTQ} in Table 4	I _{CCAUXQ} + 40	I _{CCOQ} + 30 mA per bank	mA
XC6VLX550T	See I _{CCINTQ} in Table 4	I _{CCAUXQ} + 40	I _{CCOQ} + 30 mA per bank	mA
XC6VLX760	See I _{CCINTQ} in Table 4	I _{CCAUXQ} + 40	I _{CCOQ} + 30 mA per bank	mA
XC6VSX315T	See I _{CCINTQ} in Table 4	I _{CCAUXQ} + 40	I _{CCOQ} + 30 mA per bank	mA
XC6VSX475T	See I _{CCINTQ} in Table 4	I _{CCAUXQ} + 50	I _{CCOQ} + 30 mA per bank	mA
XC6VHX250T	See I _{CCINTQ} in Table 4	I _{CCAUXQ} + 40	I _{CCOQ} + 30 mA per bank	mA
XC6VHX255T	See I _{CCINTQ} in Table 4	I _{CCAUXQ} + 40	I _{CCOQ} + 30 mA per bank	mA
XC6VHX380T	See I _{CCINTQ} in Table 4	I _{CCAUXQ} + 40	I _{CCOQ} + 30 mA per bank	mA
XC6VHX565T	See I _{CCINTQ} in Table 4	I _{CCAUXQ} + 40	I _{CCOQ} + 30 mA per bank	mA
XQ6VLX130T	See I _{CCINTQ} in Table 4	I _{CCAUXQ} + 100	I _{CCOQ} + 30 mA per bank	mA
XQ6VLX240T	See I _{CCINTQ} in Table 4	I _{CCAUXQ} + 100	I _{CCOQ} + 30 mA per bank	mA
XQ6VLX550T	See I _{CCINTQ} in Table 4	I _{CCAUXQ} + 100	I _{CCOQ} + 30 mA per bank	mA
XQ6VSX315T	See I _{CCINTQ} in Table 4	I _{CCAUXQ} + 100	I _{CCOQ} + 40 mA per bank	mA
XQ6VSX475T	See I _{CCINTQ} in Table 4	I _{CCAUXQ} + 100	I _{CCOQ} + 40 mA per bank	mA

Notes:

1. Typical values are specified at nominal voltage, 25°C.
2. Use the Xilinx Power Estimator (XPE) spreadsheet tool (download at <http://www.xilinx.com/power>) to calculate maximum power-on currents.

Table 6: Power Supply Ramp Time

Symbol	Description	Ramp Time	Units
V _{CCINT}	Internal supply voltage relative to GND	0.20 to 50.0	ms
V _{CCO}	Output drivers supply voltage relative to GND	0.20 to 50.0	ms
V _{CCAUX}	Auxiliary supply voltage relative to GND	0.20 to 50.0	ms

SelectIO™ DC Input and Output Levels

Values for V_{IL} and V_{IH} are recommended input voltages. Values for I_{OL} and I_{OH} are guaranteed over the recommended operating conditions at the V_{OL} and V_{OH} test points. Only selected standards are tested. These are chosen to ensure that all standards meet their specifications. The selected standards are tested at a minimum V_{CCO} with the respective V_{OL} and V_{OH} voltage levels shown. Other standards are sample tested.

Table 7: SelectIO DC Input and Output Levels

I/O Standard	V_{IL}		V_{IH}		V_{OL}	V_{OH}	I_{OL}	I_{OH}
	V, Min	V, Max	V, Min	V, Max	V, Max	V, Min	mA	mA
LVC MOS25, LVDCI25	-0.3	0.7	1.7	$V_{CCO} + 0.3$	0.4	$V_{CCO} - 0.4$	Note(3)	Note(3)
LVC MOS18, LVDCI18	-0.3	35% V_{CCO}	65% V_{CCO}	$V_{CCO} + 0.3$	0.45	$V_{CCO} - 0.45$	Note(4)	Note(4)
LVC MOS15, LVDCI15	-0.3	35% V_{CCO}	65% V_{CCO}	$V_{CCO} + 0.3$	25% V_{CCO}	75% V_{CCO}	Note(4)	Note(4)
LVC MOS12	-0.3	35% V_{CCO}	65% V_{CCO}	$V_{CCO} + 0.3$	25% V_{CCO}	75% V_{CCO}	Note(5)	Note(5)
HSTL I ₁₂	-0.3	$V_{REF} - 0.1$	$V_{REF} + 0.1$	$V_{CCO} + 0.3$	25% V_{CCO}	75% V_{CCO}	6.3	-6.3
HSTL I ⁽²⁾	-0.3	$V_{REF} - 0.1$	$V_{REF} + 0.1$	$V_{CCO} + 0.3$	0.4	$V_{CCO} - 0.4$	8	-8
HSTL II ⁽²⁾	-0.3	$V_{REF} - 0.1$	$V_{REF} + 0.1$	$V_{CCO} + 0.3$	0.4	$V_{CCO} - 0.4$	16	-16
HSTL III ⁽²⁾	-0.3	$V_{REF} - 0.1$	$V_{REF} + 0.1$	$V_{CCO} + 0.3$	0.4	$V_{CCO} - 0.4$	24	-8
DIFF HSTL I ⁽²⁾	-0.3	50% $V_{CCO} - 0.1$	50% $V_{CCO} + 0.1$	$V_{CCO} + 0.3$	-	-	-	-
DIFF HSTL II ⁽²⁾	-0.3	50% $V_{CCO} - 0.1$	50% $V_{CCO} + 0.1$	$V_{CCO} + 0.3$	-	-	-	-
SSTL2 I	-0.3	$V_{REF} - 0.15$	$V_{REF} + 0.15$	$V_{CCO} + 0.3$	$V_{TT} - 0.61$	$V_{TT} + 0.61$	8.1	-8.1
SSTL2 II	-0.3	$V_{REF} - 0.15$	$V_{REF} + 0.15$	$V_{CCO} + 0.3$	$V_{TT} - 0.81$	$V_{TT} + 0.81$	16.2	-16.2
DIFF SSTL2 I	-0.3	50% $V_{CCO} - 0.15$	50% $V_{CCO} + 0.15$	$V_{CCO} + 0.3$	-	-	-	-
DIFF SSTL2 II	-0.3	50% $V_{CCO} - 0.15$	50% $V_{CCO} + 0.15$	$V_{CCO} + 0.3$	-	-	-	-
SSTL18 I	-0.3	$V_{REF} - 0.125$	$V_{REF} + 0.125$	$V_{CCO} + 0.3$	$V_{TT} - 0.47$	$V_{TT} + 0.47$	6.7	-6.7
SSTL18 II	-0.3	$V_{REF} - 0.125$	$V_{REF} + 0.125$	$V_{CCO} + 0.3$	$V_{TT} - 0.60$	$V_{TT} + 0.60$	13.4	-13.4
DIFF SSTL18 I	-0.3	50% $V_{CCO} - 0.125$	50% $V_{CCO} + 0.125$	$V_{CCO} + 0.3$	-	-	-	-
DIFF SSTL18 II	-0.3	50% $V_{CCO} - 0.125$	50% $V_{CCO} + 0.125$	$V_{CCO} + 0.3$	-	-	-	-
SSTL15	-0.3	$V_{REF} - 0.1$	$V_{REF} + 0.1$	$V_{CCO} + 0.3$	$V_{TT} - 0.175$	$V_{TT} + 0.175$	14.3	-14.3
DIFF SSTL15	-0.3	50% $V_{CCO} - 0.1$	50% $V_{CCO} + 0.1$	$V_{CCO} + 0.3$	-	-	-	-

Notes:

1. Tested according to relevant specifications.
2. Applies to both 1.5V and 1.8V HSTL.
3. Using drive strengths of 2, 4, 6, 8, 12, 16, or 24 mA.
4. Using drive strengths of 2, 4, 6, 8, 12, or 16 mA.
5. Supported drive strengths of 2, 4, 6, or 8 mA.
6. For detailed interface specific DC voltage levels, see [UG361](#): Virtex-6 FPGA SelectIO Resources User Guide.

HT DC Specifications (HT_25)

Table 8: HT DC Specifications

Symbol	DC Parameter	Conditions	Min	Typ	Max	Units
V_{CCO}	Supply Voltage		2.38	2.5	2.63	V
V_{OD}	Differential Output Voltage for XC devices	$R_T = 100 \Omega$ across Q and \bar{Q} signals	480	600	885	mV
	Differential Output Voltage for XQ devices		480	600	930	mV
ΔV_{OD}	Change in V_{OD} Magnitude		-15	-	15	mV
V_{OCM}	Output Common Mode Voltage	$R_T = 100 \Omega$ across Q and \bar{Q} signals	440	600	760	mV
ΔV_{OCM}	Change in V_{OCM} Magnitude		-15	-	15	mV
V_{ID}	Input Differential Voltage		200	600	1000	mV
ΔV_{ID}	Change in V_{ID} Magnitude		-15	-	15	mV
V_{ICM}	Input Common Mode Voltage		440	600	780	mV
ΔV_{ICM}	Change in V_{ICM} Magnitude		-15	-	15	mV

LVDS DC Specifications (LVDS_25)

Table 9: LVDS DC Specifications

Symbol	DC Parameter	Conditions	Min	Typ	Max	Units
V_{CCO}	Supply Voltage		2.38	2.5	2.63	V
V_{OH}	Output High Voltage for Q and \bar{Q}	$R_T = 100 \Omega$ across Q and \bar{Q} signals	-	-	1.675	V
V_{OL}	Output Low Voltage for Q and \bar{Q}	$R_T = 100 \Omega$ across Q and \bar{Q} signals	0.825	-	-	V
V_{ODIFF}	Differential Output Voltage (Q - \bar{Q}), Q = High (\bar{Q} - Q), \bar{Q} = High	$R_T = 100 \Omega$ across Q and \bar{Q} signals	247	350	600	mV
V_{OCM}	Output Common-Mode Voltage for XC devices	$R_T = 100 \Omega$ across Q and \bar{Q} signals	1.075	1.250	1.425	V
	Output Common-Mode Voltage for XQ devices		1.000	1.250	1.425	V
V_{IDIFF}	Differential Input Voltage (Q - \bar{Q}), Q = High (\bar{Q} - Q), \bar{Q} = High		100	350	600	mV
V_{ICM}	Input Common-Mode Voltage		0.3	1.2	2.2	V

Extended LVDS DC Specifications (LVDSEXT_25)

Table 10: Extended LVDS DC Specifications

Symbol	DC Parameter	Conditions	Min	Typ	Max	Units
V_{CCO}	Supply Voltage		2.38	2.5	2.63	V
V_{OH}	Output High Voltage for Q and \bar{Q}	$R_T = 100 \Omega$ across Q and \bar{Q} signals	-	-	1.785	V
V_{OL}	Output Low Voltage for Q and \bar{Q}	$R_T = 100 \Omega$ across Q and \bar{Q} signals	0.715	-	-	V
V_{ODIFF}	Differential Output Voltage (Q - \bar{Q}), Q = High (\bar{Q} - Q), \bar{Q} = High for XC devices	$R_T = 100 \Omega$ across Q and \bar{Q} signals	350	-	840	mV
	Differential Output Voltage (Q - \bar{Q}), Q = High (\bar{Q} - Q), \bar{Q} = High for XQ devices		350	-	850	mV
V_{OCM}	Output Common-Mode Voltage for XC devices	$R_T = 100 \Omega$ across Q and \bar{Q} signals	1.075	1.250	1.425	V
	Output Common-Mode Voltage for XQ devices		1.000	1.250	1.425	V
V_{IDIFF}	Differential Input Voltage (Q - \bar{Q}), Q = High (\bar{Q} - Q), \bar{Q} = High	Common-mode input voltage = 1.25V	100	-	1000	mV
V_{ICM}	Input Common-Mode Voltage	Differential input voltage = ± 350 mV	0.3	1.2	2.2	V

LVPECL DC Specifications (LVPECL_25)

These values are valid when driving a 100Ω differential load only, i.e., a 100Ω resistor between the two receiver pins. The V_{OH} levels are 200 mV below standard LVPECL levels and are compatible with devices tolerant of lower common-mode ranges. [Table 11](#) summarizes the DC output specifications of LVPECL. For more information on using LVPECL, see [UG361: Virtex-6 FPGA SelectIO Resources User Guide](#).

Table 11: LVPECL DC Specifications

Symbol	DC Parameter	Min	Typ	Max	Units
V_{OH}	Output High Voltage	$V_{CC} - 1.025$	1.545	$V_{CC} - 0.88$	V
V_{OL}	Output Low Voltage	$V_{CC} - 1.81$	0.795	$V_{CC} - 1.62$	V
V_{ICM}	Input Common-Mode Voltage	0.6	–	2.2	V
V_{DIFF}	Differential Input Voltage ⁽¹⁾⁽²⁾	0.100	–	1.5	V

Notes:

1. Recommended input maximum voltage not to exceed $V_{CCAUX} + 0.2V$.
2. Recommended input minimum voltage not to go below $-0.5V$.

eFUSE Read Endurance

[Table 12](#) lists the maximum number of read cycle operations expected. For more information, see [UG360: Virtex-6 FPGA Configuration User Guide](#).

Table 12: eFUSE Read Endurance

Symbol	Description	Speed Grade				Units
		-3	-2	-1	-1L	
DNA_CYCLES	Number of DNA_PORT READ operations or JTAG ISC_DNA read command operations. Unaffected by SHIFT operations.	30,000,000				Read Cycles
AES_CYCLES	Number of JTAG FUSE_KEY or FUSE_CNTL read command operations. Unaffected by SHIFT operations.	30,000,000				Read Cycles

GTX Transceiver Specifications

GTX Transceiver DC Characteristics

Table 13: Absolute Maximum Ratings for GTX Transceivers⁽¹⁾

Symbol	Description	Min	Max	Units
MGTAVCC	Analog supply voltage for the GTX transmitter and receiver circuits relative to GND	-0.5	1.1	V
MGTAVTT	Analog supply voltage for the GTX transmitter and receiver termination circuits relative to GND	-0.5	1.32	V
MGTAVTTRCAL	Analog supply voltage for the resistor calibration circuit of the GTX transceiver column	-0.5	1.32	V
V _{IN}	Receiver (RXP/RXN) and Transmitter (TXP/TXN) absolute input voltage	-0.5	1.32	V
V _{MGTREFCLK}	Reference clock absolute input voltage	-0.5	1.32	V

Notes:

- Stresses beyond those listed under Absolute Maximum Ratings might cause permanent damage to the device. These are stress ratings only, and functional operation of the device at these or any other conditions beyond those listed under Operating Conditions is not implied. Exposure to Absolute Maximum Ratings conditions for extended periods of time might affect device reliability.

Table 14: Recommended Operating Conditions for GTX Transceivers⁽¹⁾⁽²⁾

Symbol	Description	Speed Grade	PLL Frequency	Min	Typ	Max	Units
MGTAVCC	Analog supply voltage for the GTX transmitter and receiver circuits relative to GND	-3, -2 ⁽³⁾	> 2.7 GHz	1.0	1.03	1.06	V
		-3, -2 ⁽³⁾	≤ 2.7 GHz	0.95	1.0	1.06	V
		-1	≤ 2.7 GHz	0.95	1.0	1.06	V
		-1L	≤ 2.7 GHz	0.95	1.0	1.05	V
MGTAVTT	Analog supply voltage for the GTX transmitter and receiver termination circuits relative to GND	All	–	1.14	1.2	1.26	V
MGTAVTTRCAL	Analog supply voltage for the resistor calibration circuit of the GTX transceiver column	All	–	1.14	1.2	1.26	V

Notes:

- Each voltage listed requires the filter circuit described in [UG366: Virtex-6 FPGA GTX Transceivers User Guide](#).
- Voltages are specified for the temperature range of T_j = -40°C to +100°C for all XC devices and T_j = -55°C to +125°C for the XQ devices
- If a GTX Quad contains transceivers operating with a mixture of PLL frequencies above and below 2.7 GHz, the MGTAVCC voltage supply must be in the range of 1.0V to 1.06V.

Table 15: GTX Transceiver Supply Current (per Lane) ⁽¹⁾⁽²⁾

Symbol	Description	Typ	Max	Units
I _{MGTAVTT}	MGTAVTT supply current for one GTX transceiver	55.9	Note 2	mA
I _{MGTAVCC}	MGTAVCC supply current for one GTX transceiver	56.1		mA
MGTR _{REF}	Precision reference resistor for internal calibration termination	100.0 ± 1% tolerance		Ω

Notes:

- Typical values are specified at nominal voltage, 25°C, with a 3.125 Gb/s line rate.
- Values for currents of other transceiver configurations and conditions can be obtained by using the Xilinx Power Estimator (XPE) or XPower Analyzer (XPA) tools.

Table 16: GTX Transceiver Quiescent Supply Current (per Lane) (1)(2)(3)

Symbol	Description	Typ ⁽⁴⁾	Max	Units
I _{MGTAVTTQ}	Quiescent MGTAVTT supply current for one GTX transceiver	0.9	Note 2	mA
I _{MGTAVCCQ}	Quiescent MGTAVCC supply current for one GTX transceiver	3.5		mA

Notes:

1. Device powered and unconfigured.
2. Currents for conditions other than values specified in this table can be obtained by using the XPE or XPA tools.
3. GTX transceiver quiescent supply current for an entire device can be calculated by multiplying the values in this table by the number of available GTX transceivers.
4. Typical values are specified at nominal voltage, 25°C.

GTX Transceiver DC Input and Output Levels

Table 17 summarizes the DC output specifications of the GTX transceivers in Virtex-6 FPGAs. Consult [UG366: Virtex-6 FPGA GTX Transceivers User Guide](#) for further details.

Table 17: GTX Transceiver DC Specifications

Symbol	DC Parameter	Conditions	Min	Typ	Max	Units
DV _{PPIN}	Differential peak-to-peak input voltage	External AC coupled ≤ 4.25 Gb/s	125	–	2000	mV
		External AC coupled > 4.25 Gb/s	175	–	2000	mV
V _{IN}	Absolute input voltage	DC coupled MGTAVTT = 1.2V	–400	–	MGTAVTT	mV
V _{CMIN}	Common mode input voltage	DC coupled MGTAVTT = 1.2V	–	2/3 MGTAVTT	–	mV
DV _{PPOUT}	Differential peak-to-peak output voltage ⁽¹⁾	Transmitter output swing is set to maximum setting	–	–	1000	mV
V _{CMOUTDC}	DC common mode output voltage.	Equation based	MGTAVTT – DV _{PPOUT} /4			mV
R _{IN}	Differential input resistance		80	100	130	Ω
R _{OUT}	Differential output resistance		80	100	120	Ω
T _{OSKEW}	Transmitter output pair (TXP and TXN) intra-pair skew		–	2	8	ps
C _{EXT}	Recommended external AC coupling capacitor ⁽²⁾		–	100	–	nF

Notes:

1. The output swing and preemphasis levels are programmable using the attributes discussed in [UG366: Virtex-6 FPGA GTX Transceivers User Guide](#) and can result in values lower than reported in this table.
2. Other values can be used as appropriate to conform to specific protocols and standards.



Figure 1: Single-Ended Peak-to-Peak Voltage



Figure 2: Differential Peak-to-Peak Voltage

Table 18 summarizes the DC specifications of the clock input of the GTX transceiver. Consult [UG366: Virtex-6 FPGA GTX Transceivers User Guide](#) for further details.

Table 18: GTX Transceiver Clock DC Input Level Specification

Symbol	DC Parameter	Min	Typ	Max	Units
V _{IDIFF}	Differential peak-to-peak input voltage	210	800	2000	mV
R _{IN}	Differential input resistance	90	100	130	Ω
C _{EXT}	Required external AC coupling capacitor ⁽¹⁾	–	100	–	nF

Notes:

- Other values can be used as appropriate to conform to specific protocols and standards.

GTX Transceiver Switching Characteristics

Consult [UG366: Virtex-6 FPGA GTX Transceivers User Guide](#) for further information.

Table 19: GTX Transceiver Performance

Symbol	Description	Speed Grade				Units
		-3	-2	-1	-1L	
F _{GTXMAX}	Maximum GTX transceiver data rate	6.6	6.6	5.0	5.0	Gb/s
F _{GPLLMAX}	Maximum PLL frequency	3.3 ⁽¹⁾	3.3 ⁽¹⁾	2.7	2.7	GHz
F _{GPLLMIN}	Minimum PLL frequency	1.2	1.2	1.2	1.2	GHz

Notes:

- See Table 14 for MGTAVCC requirements when PLL frequency is greater than 2.7 GHz.

Table 20: GTX Transceiver Dynamic Reconfiguration Port (DRP) Switching Characteristics

Symbol	Description	Speed Grade				Units
		-3	-2	-1	-1L	
F _{GTXDRPCLK}	GTXDRPCLK maximum frequency	150	150	125	100	MHz

Table 21: GTX Transceiver Reference Clock Switching Characteristics

Symbol	Description	Conditions	All Speed Grades			Units
			Min	Typ	Max	
F_{GCLK}	Reference clock frequency range		62.5	–	650	MHz
T_{RCLK}	Reference clock rise time	20% – 80%	–	200	–	ps
T_{FCLK}	Reference clock fall time	80% – 20%	–	200	–	ps
T_{DCREF}	Reference clock duty cycle	Transceiver PLL only	45	50	55	%
T_{LOCK}	Clock recovery frequency acquisition time	Initial PLL lock	–	–	1	ms
T_{PHASE}	Clock recovery phase acquisition time	Lock to data after PLL has locked to the reference clock	–	–	200	μ s



Figure 3: Reference Clock Timing Parameters

Table 22: GTX Transceiver User Clock Switching Characteristics⁽¹⁾

Symbol	Description	Conditions	Speed Grade				Units
			-3	-2	-1	-1L	
F_{TXOUT}	TXOUTCLK maximum frequency	Internal 20-bit data path	330	330	250	250	MHz
		Internal 16-bit data path	412.5	412.5	312.5	250	MHz
F_{RXREC}	RXRECCLK maximum frequency	Internal 20-bit data path	330	330	250	250	MHz
		Internal 16-bit data path	412.5	412.5	312.5	250	MHz
T_{RX}	RXUSRCLK maximum frequency		412.5 ⁽²⁾	412.5 ⁽²⁾	312.5	250	MHz
T_{RX2}	RXUSRCLK2 maximum frequency	1 byte interface	376	376	312.5	250	MHz
		2 byte interface	406.25	406.25	312.5	250	MHz
		4 byte interface	206.25	206.25	156.25	125	MHz
T_{TX}	TXUSRCLK maximum frequency		412.5 ⁽³⁾	412.5 ⁽³⁾	312.5	250	MHz
T_{TX2}	TXUSRCLK2 maximum frequency	1 byte interface	376	376	312.5	250	MHz
		2 byte interface	406.25	406.25	312.5	250	MHz
		4 byte interface	206.25	206.25	156.25	125	MHz

Notes:

1. Clocking must be implemented as described in [UG366: Virtex-6 FPGA GTX Transceivers User Guide](#).
2. 406.25 MHz when the RX elastic buffer is bypassed.
3. 406.25 MHz when the TX buffer is bypassed.

Table 23: GTX Transceiver Transmitter Switching Characteristics

Symbol	Description	Condition	Min	Typ	Max	Units
F _{GTXTX}	Serial data rate range		0.480	–	F _{GTXTXMAX}	Gb/s
T _{RTX}	TX Rise time	20%–80%	–	120	–	ps
T _{FTX}	TX Fall time	80%–20%	–	120	–	ps
T _{LLSKEW}	TX lane-to-lane skew ⁽¹⁾		–	–	350	ps
V _{TXOOBVDPP}	Electrical idle amplitude		–	–	15	mV
T _{TXOOBTRANSITION}	Electrical idle transition time		–	–	75	ns
T _{J6.5}	Total Jitter ⁽²⁾⁽³⁾	6.5 Gb/s	–	–	0.33	UI
D _{J6.5}	Deterministic Jitter ⁽²⁾⁽³⁾		–	–	0.17	UI
T _{J5.0}	Total Jitter ⁽²⁾⁽³⁾	5.0 Gb/s	–	–	0.33	UI
D _{J5.0}	Deterministic Jitter ⁽²⁾⁽³⁾		–	–	0.15	UI
T _{J4.25}	Total Jitter ⁽²⁾⁽³⁾	4.25 Gb/s	–	–	0.33	UI
D _{J4.25}	Deterministic Jitter ⁽²⁾⁽³⁾		–	–	0.14	UI
T _{J3.75}	Total Jitter ⁽²⁾⁽³⁾	3.75 Gb/s	–	–	0.34	UI
D _{J3.75}	Deterministic Jitter ⁽²⁾⁽³⁾		–	–	0.16	UI
T _{J3.125}	Total Jitter ⁽²⁾⁽³⁾	3.125 Gb/s	–	–	0.2	UI
D _{J3.125}	Deterministic Jitter ⁽²⁾⁽³⁾		–	–	0.1	UI
T _{J3.125L}	Total Jitter ⁽²⁾⁽³⁾	3.125 Gb/s ⁽⁴⁾	–	–	0.35	UI
D _{J3.125L}	Deterministic Jitter ⁽²⁾⁽³⁾		–	–	0.16	UI
T _{J2.5}	Total Jitter ⁽²⁾⁽³⁾	2.5 Gb/s ⁽⁵⁾	–	–	0.20	UI
D _{J2.5}	Deterministic Jitter ⁽²⁾⁽³⁾		–	–	0.08	UI
T _{J1.25}	Total Jitter ⁽²⁾⁽³⁾	1.25 Gb/s ⁽⁶⁾	–	–	0.15	UI
D _{J1.25}	Deterministic Jitter ⁽²⁾⁽³⁾		–	–	0.06	UI
T _{J600}	Total Jitter ⁽²⁾⁽³⁾	600 Mb/s	–	–	0.1	UI
D _{J600}	Deterministic Jitter ⁽²⁾⁽³⁾		–	–	0.03	UI
T _{J480}	Total Jitter ⁽²⁾⁽³⁾	480 Mb/s	–	–	0.1	UI
D _{J480}	Deterministic Jitter ⁽²⁾⁽³⁾		–	–	0.03	UI

Notes:

- Using same REFCLK input with TXENPMPHASEALIGN enabled for up to 12 consecutive transmitters (three fully populated GTX Quads).
- Using PLL_DIVSEL_FB = 2, 20-bit internal data width. These values are NOT intended for protocol specific compliance determinations.
- All jitter values are based on a bit-error ratio of 1e⁻¹².
- PLL frequency at 1.5625 GHz and OUTDIV = 1.
- PLL frequency at 2.5 GHz and OUTDIV = 2.
- PLL frequency at 2.5 GHz and OUTDIV = 4.

Table 24: GTX Transceiver Receiver Switching Characteristics

Symbol	Description		Min	Typ	Max	Units
F _{GTXRX}	Serial data rate	RX oversampler not enabled	0.600	–	F _{GTXMAX}	Gb/s
		RX oversampler enabled	0.480	–	0.600	Gb/s
T _{RXELECIDLE}	Time for RXELECIDLE to respond to loss or restoration of data		–	75	–	ns
RX _{OOBVDPP}	OOB detect threshold peak-to-peak		60	–	150	mV
RX _{SST}	Receiver spread-spectrum tracking ⁽¹⁾	Modulated @ 33 KHz	–5000	–	0	ppm
RX _{RL}	Run length (CID)	Internal AC capacitor bypassed	–	–	512	UI
RX _{PPMTOL}	Data/REFCLK PPM offset tolerance	CDR 2 nd -order loop disabled	–200	–	200	ppm
		CDR 2 nd -order loop enabled	–2000	–	2000	ppm
SJ Jitter Tolerance⁽²⁾						
JT_SJ _{6.5}	Sinusoidal Jitter ⁽³⁾	6.5 Gb/s	0.44	–	–	UI
JT_SJ _{5.0}	Sinusoidal Jitter ⁽³⁾	5.0 Gb/s	0.44	–	–	UI
JT_SJ _{4.25}	Sinusoidal Jitter ⁽³⁾	4.25 Gb/s	0.44	–	–	UI
JT_SJ _{3.75}	Sinusoidal Jitter ⁽³⁾	3.75 Gb/s	0.44	–	–	UI
JT_SJ _{3.125}	Sinusoidal Jitter ⁽³⁾	3.125 Gb/s	0.45	–	–	UI
JT_SJ _{3.125L}	Sinusoidal Jitter ⁽³⁾	3.125 Gb/s ⁽⁴⁾	0.45	–	–	UI
JT_SJ _{2.5}	Sinusoidal Jitter ⁽³⁾	2.5 Gb/s ⁽⁵⁾	0.5	–	–	UI
JT_SJ _{1.25}	Sinusoidal Jitter ⁽³⁾	1.25 Gb/s ⁽⁶⁾	0.5	–	–	UI
JT_SJ ₆₀₀	Sinusoidal Jitter ⁽³⁾	600 Mb/s	0.4	–	–	UI
JT_SJ ₄₈₀	Sinusoidal Jitter ⁽³⁾	480 Mb/s	0.4	–	–	UI
SJ Jitter Tolerance with Stressed Eye⁽²⁾						
JT_TJSE _{3.125}	Total Jitter with Stressed Eye ⁽⁷⁾	3.125 Gb/s	0.70	–	–	UI
		5.0 Gb/s	0.70	–	–	UI
JT_SJSE _{3.125}	Sinusoidal Jitter with Stressed Eye ⁽⁷⁾	3.125 Gb/s	0.1	–	–	UI
		5.0 Gb/s	0.1	–	–	UI

Notes:

- Using PLL_RXDIVSEL_OUT = 1, 2, and 4.
- All jitter values are based on a bit error ratio of 1e⁻¹².
- The frequency of the injected sinusoidal jitter is 80 MHz.
- PLL frequency at 1.5625 GHz and OUTDIV = 1.
- PLL frequency at 2.5 GHz and OUTDIV = 2.
- PLL frequency at 2.5 GHz and OUTDIV = 4.
- Composite jitter with RX equalizer enabled. DFE disabled.

GTH Transceiver Specifications

GTH Transceiver DC Characteristics

Table 25: Absolute Maximum Ratings for GTH Transceivers⁽¹⁾

Symbol	Description	Min	Max	Units
MGTHAVCC	Analog supply voltage for the GTH transmitter, receiver, and common analog circuits	-0.5	1.125	V
MGTHAVCCR _X	Analog supply voltage for the GTH receiver circuits and common analog circuits	-0.5	1.125	V
MGTHAVTT	Analog supply voltage for the GTH transmitter termination circuits	-0.5	1.32	V
MGTHAVCCPLL	Analog supply voltage for the GTH receiver and PLL circuits	-0.5	1.935	V
V _{IN}	Receiver (RXP/RXN) and Transmitter (TXP/TXN) absolute input voltage	-0.5	1.125	V
V _{MGTREFCLK}	Reference clock absolute input voltage	-0.5	1.935	V

Notes:

- Stresses beyond those listed under Absolute Maximum Ratings might cause permanent damage to the device. These are stress ratings only, and functional operation of the device at these or any other conditions beyond those listed under Operating Conditions is not implied. Exposure to Absolute Maximum Ratings conditions for extended periods of time might affect device reliability.

Table 26: Recommended Operating Conditions for GTH Transceivers⁽¹⁾⁽²⁾

Symbol	Description	Min	Typ	Max	Units
MGTHAVCC	Analog supply voltage for the GTH transmitter, receiver, and common analog circuits	1.075	1.1	1.125	V
MGTHAVCCR _X	Analog supply voltage for the GTH receiver circuits and common analog circuits	1.075	1.1	1.125	V
MGTHAVTT	Analog supply voltage for the GTH transmitter termination circuits	1.140	1.2	1.26	V
MGTHAVCCPLL	Analog supply voltage for the GTH receiver and PLL circuit	1.710	1.8	1.89	V

Notes:

- Each voltage listed requires the filter circuit described in [UG371: Virtex-6 FPGA GTH Transceivers User Guide](#).
- Voltages are specified for the temperature range of T_j = -40°C to +100°C.

Table 27: GTH Transceiver Power Supply Sequencing⁽¹⁾⁽²⁾⁽³⁾

Symbol	Description	Min	Max	Units
T _{HAVCC2HAVCCR_X}	Maximum time between powering MGTHAVCC to when MGTHAVCCR _X must be powered.	0	5	ms
T _{HAVCCR_X2HAVCCPLL}	Minimum time between powering MGTHAVCCR _X to when MGTHAVCCPLL can be powered.	10	-	μs
T _{HAVCCR_X2HAVTT}	Minimum time between powering MGTHAVCCR _X to when MGTHAVTT can be powered.	10	-	μs

Notes:

- MGTHAVCCR_X must be powered simultaneously or within T_{HAVCC2HAVCCR_X} of MGTHAVCC, but it must not precede MGTHAVCC.
- MGTHAVCC and MGTHAVCCR_X must be powered before MGTHAVCCPLL and MGTHAVTT. This minimum time is defined by T_{HAVCCR_X2HAVCCPLL} and T_{HAVCCR_X2HAVTT}.
- At any time, the condition of MGTHAVCC being present and MGTHAVCCR_X not being present should not occur for more than the maximum T_{HAVCC2HAVCCR_X}.

Figure 4 shows the timing parameters in Table 27.



DS152_04_051110

Figure 4: GTH Transceiver Power Supply Power-On Sequencing

Table 28: GTH Transceiver Supply Current

Symbol	Description	Typ ⁽¹⁾	Max	Units
I _{MGTHAVCC}	MGTHAVCC supply current for one GTH Quad (4 lanes)	571	Note 2	mA
I _{MGTHAVCCR X}	MGTHAVCCR X supply current for a GTH Quad (4 lanes)	254	Note 2	mA
I _{MGTHAVTT}	MGTHAVTT supply current for one GTH Quad (4 lanes)	93	Note 2	mA
I _{MGTHAVCCPLL}	MGTHAVCCPLL supply current for one GTH Quad (4 lanes)	219	Note 2	mA
MGTR _{REF}	Precision reference resistor for internal calibration termination	1000.0 ± 1% tolerance		Ω

Notes:

1. Typical values are specified at nominal voltage, 25°C, with a 10.3125 Gb/s line rate.
2. Values for currents other than the values specified in this table can be obtained by using the Xilinx Power Estimator (XPE) or XPower Analyzer (XPA) tools.

Table 29: GTH Transceiver Quiescent Supply Current⁽¹⁾⁽²⁾

Symbol	Description	Typ ⁽³⁾	Max	Units
I _{MGTHAVCCQ}	Quiescent MGTHAVCC Supply Current for one GTH Quad (4 lanes)	65	Note 4	mA
I _{MGTHAVCCR XQ}	Quiescent MGTHAVCCR X Supply Current for one GTH Quad (4 lanes)	17	Note 4	mA
I _{MGTHAVTTQ}	Quiescent MGTHAVTT Supply Current for one GTH Quad (4 lanes)	1	Note 4	mA
I _{MGTHAVCCPLLQ}	Quiescent MGTHAVCCPLL Supply Current for one GTH Quad (4 lanes)	1	Note 4	mA

Notes:

1. Device powered and unconfigured.
2. GTH transceiver quiescent supply current for an entire device can be calculated by multiplying the values in this table by the number of available GTH transceivers.
3. Typical values are specified at nominal voltage, 25°C.
4. Currents for conditions other than values specified in this table can be obtained by using the XPE or XPA tools.

GTH Transceiver DC Input and Output Levels

Table 30 summarizes the DC output specifications of the GTH transceivers in Virtex-6 FPGAs. Consult [UG371: Virtex-6 FPGA GTH Transceivers User Guide](#) for further details.

Table 30: GTH Transceiver DC Specifications

Symbol	DC Parameter	Conditions	Min	Typ	Max	Units
D_{VPPIN}	Differential peak-to-peak input voltage	External AC coupled	175	–	1200	mV
D_{VPPOUT}	Differential peak-to-peak output voltage ⁽¹⁾	Transmitter output swing is set to maximum setting	800	–	1200	mV
R_{IN}	Differential input resistance		80	100	120	Ω
R_{OUT}	Differential output resistance		80	100	120	Ω
T_{OSKEW}	Transmitter output pair (TXP and TXN) intra-pair skew		–	2	–	ps
C_{EXT}	Recommended external AC coupling capacitor ⁽²⁾		–	100	–	nF

Notes:

1. The output swing and preemphasis levels are programmable using the attributes discussed in [UG371: Virtex-6 FPGA GTH Transceivers User Guide](#) and can result in values lower than reported in this table.
2. Other values can be used as appropriate to conform to specific protocols and standards.

Table 31 summarizes the DC specifications of the clock input of the GTH transceiver. Consult [UG371: Virtex-6 FPGA GTH Transceivers User Guide](#) for further details.

Table 31: GTH Transceiver Clock DC Input Level Specification

Symbol	DC Parameter	Conditions	Min	Typ	Max	Units
V_{IDIFF}	Differential peak-to-peak input voltage	≤ 600 MHz	500	–	1600	mV
		> 600 MHz	600	–	1600	mV
R_{IN}	Differential input resistance		80	100	120	Ω
C_{EXT}	Required external AC coupling capacitor		–	100	–	nF

GTH Transceiver Switching Characteristics

Consult [UG371: Virtex-6 FPGA GTH Transceivers User Guide](#) for further information.

Table 32: GTH Transceiver Maximum Data Rate and PLL Frequency Range

Symbol	Description	Conditions	Speed Grade			Units
			-3	-2	-1	
F _{GTHMAX}	Maximum GTH transceiver data rate	PLL Output Divider = 1	11.182	11.182	10.32	Gb/s
		PLL Output Divider = 4	2.795	2.795	2.58	Gb/s
F _{GTHMIN}	Minimum GTH transceiver data rate ⁽¹⁾	PLL Output Divider = 1	9.92	9.92	9.92	Gb/s
		PLL Output Divider = 4	2.48	2.48	2.48	Gb/s
F _{GPLLMAX}	Maximum GTH PLL frequency		5.591	5.591	5.16	GHz
F _{GPLLMIN}	Minimum GTH PLL frequency		4.96	4.96	4.96	GHz

Notes:

- Lower data rates can be achieved using FPGA logic based oversampling designs.

Table 33: GTH Transceiver Dynamic Reconfiguration Port (DRP) Switching Characteristics

Symbol	Description	Speed Grade			Units
		-3	-2	-1	
F _{GTHDRPCLK}	GTHDRPCLK maximum frequency	70	70	60	MHz

Table 34: GTH Transceiver Reference Clock Switching Characteristics

Symbol	Description	Conditions	All Speed Grades			Units
			Min	Typ	Max	
F _{GCLK}	Reference clock frequency range	-1 speed grade	150	–	645	MHz
		-2 and -3 speed grades	150	–	700	MHz
T _{RCLK}	Reference clock rise time	20% – 80%	–	200	–	ps
T _{FCLK}	Reference clock fall time	80% – 20%	–	200	–	ps
T _{DCREF}	Reference clock duty cycle	CLK	45	50	55	%
T _{LOCK}	Clock recovery frequency acquisition time	Initial PLL lock	–	–	2	ms
T _{PHASE}	Clock recovery phase acquisition time	Lock to data after PLL has locked to the reference clock	–	–	20	µs



Figure 5: Reference Clock Timing Parameters

Table 35: GTH Transceiver User Clock Switching Characteristics (1)

Symbol	Description	Conditions	Speed Grade			Units
			-3	-2	-1	
F _{TXOUT}	TXUSERCLKOUT maximum frequency		350	350	323	MHz
F _{RXOUT}	RXUSERCLKOUT maximum frequency		350	350	323	MHz
F _{TXIN}	TXUSERCLKIN maximum frequency	16-bit data path	350	350	323	MHz
		20-bit data path	280	280	258	MHz
		32-bit data path	350	350	323	MHz
		40-bit data path	280	280	258	MHz
		64-bit data path	175	175	162	MHz
		80-bit data path	140	140	129	MHz
		64B/66B-bit data path	170	170	157	MHz
F _{RXIN}	RXUSERCLKIN maximum frequency	16-bit data path	350	350	323	MHz
		20-bit data path	280	280	258	MHz
		32-bit data path	350	350	323	MHz
		40-bit data path	280	280	258	MHz
		64-bit data path	175	175	162	MHz
		80-bit data path	140	140	129	MHz
		64B/66B-bit data path	170	170	157	MHz

Notes:

1. Clocking must be implemented as described in [UG371](#): Virtex-6 FPGA GTH Transceivers User Guide.

Table 36: GTH Transceiver Transmitter Switching Characteristics

Symbol	Description	Condition	Min	Typ	Max	Units
T _{RTX}	TX Rise time	20%–80%	–	50 ⁽³⁾	–	ps
T _{FTX}	TX Fall time	80%–20%	–	50 ⁽³⁾	–	ps
T _{LLSKEW}	TX lane-to-lane skew	within one GTH Quad	–	–	300	ps
Transmitter Output Jitter⁽¹⁾⁽²⁾						
TJ _{11.18}	Total Jitter	11.181 Gb/s	–	–	0.280	UI
DJ _{11.18}	Deterministic Jitter		–	–	0.170	UI
TJ _{10.3125}	Total Jitter	10.3125 Gb/s	–	–	0.280	UI
DJ _{10.3125}	Deterministic Jitter		–	–	0.170	UI
TJ _{9.953}	Total Jitter	9.953 Gb/s	–	–	0.280	UI
DJ _{9.953}	Deterministic Jitter		–	–	0.170	UI
TJ _{2.667}	Total Jitter	2.667 Gb/s	–	–	0.110	UI
DJ _{2.667}	Deterministic Jitter		–	–	0.060	UI
TJ _{2.488}	Total Jitter	2.488 Gb/s	–	–	0.110	UI
DJ _{2.488}	Deterministic Jitter		–	–	0.060	UI

Notes:

1. These values are NOT intended for protocol specific compliance determinations.
2. All jitter values are based on a bit-error ratio of 1e⁻¹².
3. Rise and fall times are specified at the transmitter package balls.

Table 37: GTH Transceiver Receiver Switching Characteristics

Symbol	Description		Min	Typ	Max	Units
R _{XRL}	Run length (CID)		8000	–	–	UI
R _{XPPMTOL}	Data/REFCLK PPM offset tolerance		–200	–	200	ppm
SJ Jitter Tolerance⁽¹⁾⁽²⁾⁽³⁾⁽⁴⁾						
JT_SJ _{11.18}	Sinusoidal Jitter	11.18 Gb/s	0.3	–	–	UI
JT_SJ _{10.32}	Sinusoidal Jitter	10.32 Gb/s	0.3	–	–	UI
JT_SJ _{9.95}	Sinusoidal Jitter	9.95 Gb/s	0.3	–	–	UI
JT_SJ _{2.667}	Sinusoidal Jitter	2.667 Gb/s	0.5	–	–	UI
JT_SJ _{2.48}	Sinusoidal Jitter	2.48 Gb/s	0.5	–	–	UI

Notes:

1. These values are NOT intended for protocol specific compliance determinations.
2. All jitter values are based on a bit error ratio of 1e⁻¹².
3. The frequency of the injected sinusoidal jitter is 80 MHz.
4. High-frequency jitter tolerance including 6 db of channel loss at a high frequency of the data rate divided by two.

Ethernet MAC Switching Characteristics

Consult [UG368: Virtex-6 FPGA Embedded Tri-mode Ethernet MAC User Guide](#) for further information.

Table 38: Maximum Ethernet MAC Performance

Symbol	Description	Conditions	Speed Grade				Units
			-3	-2	-1	-1L	
F _{TEMACCLIENT}	Client interface maximum frequency	10 Mb/s – 8-bit width	2.5 ⁽¹⁾	2.5 ⁽¹⁾	2.5 ⁽¹⁾	2.5 ⁽¹⁾	MHz
		100 Mb/s – 8-bit width	25 ⁽²⁾	25 ⁽²⁾	25 ⁽²⁾	25 ⁽²⁾	MHz
		1000 Mb/s – 8-bit width	125	125	125	125	MHz
		1000 Mb/s – 16-bit width	62.5	62.5	62.5	62.5	MHz
		2000 Mb/s – 16-bit width	125	125	125	N/A	MHz
		2500 Mb/s – 16-bit width	156.25	156.25	156.25	N/A	MHz
F _{TEMACPHY}	Physical interface maximum frequency	10 Mb/s – 4-bit width	2.5	2.5	2.5	2.5	MHz
		100 Mb/s – 4-bit width	25	25	25	25	MHz
		1000 Mb/s – 8-bit width	125	125	125	125	MHz
		2000 Mb/s – 8-bit width	250	250	250	N/A	MHz
		2500 Mb/s – 8-bit width	312.5	312.5	312.5	N/A	MHz

Notes:

1. When not using clock enable, the F_{MAX} is lowered to 1.25 MHz.
2. When not using clock enable, the F_{MAX} is lowered to 12.5 MHz.

Integrated Interface Block for PCI Express Designs Switching Characteristics

More information and documentation on solutions for PCI Express designs can be found at:
<http://www.xilinx.com/technology/protocols/pciexpress.htm>

Table 39: Maximum Performance for PCI Express Designs

Symbol	Description	Speed Grade				Units
		-3	-2	-1	-1L	
F _{PIPECLK}	Pipe clock maximum frequency	250	250	250	250	MHz
F _{USERCLK}	User clock maximum frequency	500	500	250	250	MHz
F _{DRPCLK}	DRP clock maximum frequency	250	250	250	250	MHz

System Monitor Analog-to-Digital Converter Specification

Table 40: Analog-to-Digital Specifications

Parameter	Symbol	Comments/Conditions	Min	Typ	Max	Units
AV _{DD} = 2.5V ± 5%, V _{REFP} = 1.25V, V _{REFN} = 0V, ADCCLK = 5.2 MHz, T _j = -55°C to 125°C M-Grade, Typical values at T _j =+35°C						
DC Accuracy: All external input channels. Both unipolar and bipolar modes.						
Resolution			10	–	–	Bits
Integral Nonlinearity	INL		–	–	±1	LSBs
Differential Nonlinearity	DNL	No missing codes (T _{MIN} to T _{MAX}) Guaranteed Monotonic	–	–	±0.9	LSBs
Unipolar Offset Error ⁽¹⁾		Uncalibrated	–	±2	±30	LSBs
Bipolar Offset Error ⁽¹⁾		Uncalibrated measured in bipolar mode	–	±2	±30	LSBs
Gain Error		Uncalibrated - External Reference	–	±0.2	±2	%
		Uncalibrated - Internal Reference	–	±2	–	%
Bipolar Gain Error ⁽¹⁾		Uncalibrated - External Reference	–	±0.2	±2	%
		Uncalibrated - Internal Reference	–	±2	–	%
Total Unadjusted Error (Uncalibrated)	TUE	Deviation from ideal transfer function. External 1.25V reference	–	±10	–	LSBs
		Deviation from ideal transfer function. Internal reference	–	±20	–	LSBs
Total Unadjusted Error (Calibrated)	TUE	Deviation from ideal transfer function. External 1.25V reference	–	±1	±2	LSBs
Calibrated Gain Temperature Coefficient		Variation of FS code with temperature	–	±0.01	–	LSB/°C
DC Common-Mode Reject	CMRR _{DC}	V _N = V _{CM} = 0.5V ± 0.5V, V _P – V _N = 100mV	–	70	–	dB
Conversion Rate⁽²⁾						
Conversion Time - Continuous	t _{CONV}	Number of CLK cycles	26	–	32	
Conversion Time - Event	t _{CONV}	Number of CLK cycles	–	–	21	
T/H Acquisition Time	t _{ACQ}	Number of CLK cycles	4	–	–	
DRP Clock Frequency	DCLK	DRP clock frequency	8	–	80	MHz
ADC Clock Frequency	ADCCLK	Derived from DCLK	1	–	5.2	MHz
CLK Duty cycle			40	–	60	%

Table 40: Analog-to-Digital Specifications (Cont'd)

Parameter	Symbol	Comments/Conditions	Min	Typ	Max	Units
Analog Inputs⁽³⁾						
Dedicated Analog Inputs Input Voltage Range $V_P - V_N$		Unipolar Operation	0	–	1	Volts
		Bipolar Operation	–0.5	–	+0.5	
		Unipolar Common Mode Range (FS input)	0	–	+0.5	
		Bipolar Common Mode Range (FS input)	+0.5	–	+0.6	
		Bandwidth	–	20	–	MHz
Auxiliary Analog Inputs Input Voltage Range $V_{AUXP[0]} / V_{AUXN[0]}$ to $V_{AUXP[15]} / V_{AUXN[15]}$ $T_j = -55^{\circ}\text{C}$ to 125°C		Unipolar Operation	0	–	1	Volts
		Bipolar Operation	–0.5	–	+0.5	
		Unipolar Common Mode Range (FS input)	0	–	+0.5	
		Bipolar Common Mode Range (FS input)	+0.5	–	+0.6	
		Bandwidth	–	10	–	kHz
Input Leakage Current		A/D not converting, ADCCLK stopped	–	± 1.0	–	μA
Input Capacitance			–	10	–	pF
On-chip Supply Monitor Error		V_{CCINT} and V_{CCAUX} with calibration enabled. External 1.25V reference $T_j = -55^{\circ}\text{C}$ to 125°C .	–	–	± 1.0	% Reading
		V_{CCINT} and V_{CCAUX} with calibration enabled. Internal reference $T_j = -40^{\circ}\text{C}$ to 100°C . ⁽⁴⁾	–	± 2	–	% Reading
On-chip Temperature Monitor Error		$T_j = -55^{\circ}\text{C}$ to $+125^{\circ}\text{C}$ with calibration enabled. External 1.25V reference.	–	–	± 4	$^{\circ}\text{C}$
		$T_j = -40^{\circ}\text{C}$ to $+100^{\circ}\text{C}$ with calibration enabled. Internal reference. ⁽⁴⁾	–	± 5	–	$^{\circ}\text{C}$
External Reference Inputs⁽⁵⁾						
Positive Reference Input Voltage Range	V_{REFP}	Measured Relative to V_{REFN}	1.20	1.25	1.30	Volts
Negative Reference Input Voltage Range	V_{REFN}	Measured Relative to AGND	–50	0	100	mV
Input current	I_{REF}	ADCCLK = 5.2 MHz	–	–	100	μA
Power Requirements						
Analog Power Supply	AV_{DD}	Measured Relative to AV_{SS}	2.375	2.5	2.625	Volts
Analog Supply Current	AI_{DD}	ADCCLK = 5.2 MHz	–	–	12	mA

Notes:

- Offset errors are removed by enabling the System Monitor automatic gain calibration feature.
- See "System Monitor Timing" in [UG370: Virtex-6 FPGA System Monitor User Guide](#)
- See "Analog Inputs" in [UG370: Virtex-6 FPGA System Monitor User Guide](#) for a detailed description.
- These internal references are not specified over the junction temperature operating range for military (M) temperature devices.
- Any variation in the reference voltage from the nominal $V_{REFP} = 1.25\text{V}$ and $V_{REFN} = 0\text{V}$ will result in a deviation from the ideal transfer function. This also impacts the accuracy of the internal sensor measurements (i.e., temperature and power supply). However, for external ratiometric type applications allowing reference to vary by $\pm 4\%$ is permitted.

Performance Characteristics

This section provides the performance characteristics of some common functions and designs implemented in Virtex-6 devices. The numbers reported here are worst-case values; they have all been fully characterized. These values are subject to the same guidelines as the [Switching Characteristics, page 26](#).

Table 41: Interface Performances

Description	Speed Grade			
	-3	-2	-1	-1L
Networking Applications				
SDR LVDS transmitter (using OSERDES; DATA_WIDTH = 4 to 8)	710 Mb/s	710 Mb/s	650 Mb/s	585 Mb/s
DDR LVDS transmitter (using OSERDES; DATA_WIDTH = 4 to 10)	1.4 Gb/s	1.3 Gb/s	1.25 Gb/s	1.1 Gb/s
SDR LVDS receiver (SFI-4.1) ⁽¹⁾	710 Mb/s	710 Mb/s	650 Mb/s	585 Mb/s
DDR LVDS receiver (SPI-4.2) ⁽¹⁾	1.4 Gb/s	1.3 Gb/s	1.1 Gb/s	0.9 Gb/s
Maximum Physical Interface (PHY) Rate for Memory Interfaces⁽²⁾⁽³⁾⁽⁴⁾				
DDR2	800 Mb/s	800 Mb/s	800 Mb/s	606 Mb/s
DDR3	1066 Mb/s	1066 Mb/s	800 Mb/s	800 Mb/s
QDR II + SRAM	400 MHz	350 MHz	300 MHz	–
RLDRAM II	500 MHz	400 MHz	350 MHz	–

Notes:

1. LVDS receivers are typically bounded with certain applications where specific DPA algorithms dominate deterministic performance.
2. Verified on Xilinx memory characterization platforms designed according to the guidelines in UG: *Virtex-6 FPGA Memory Interface Solutions User Guide*.
3. Consult [DS186](#); *Virtex-6 FPGA Memory Interface Solutions Data Sheet* for performance and feature information on memory interface cores (controller plus PHY).
4. Memory Interface data rates have not been tested over the junction temperature operating range for military (M) temperature devices. Customers are responsible for specifying and testing their specific M temperature grade memory implementation.

Switching Characteristics

All values represented in this data sheet are based on these speed specifications: v1.17 for -3, -2, and -1; and v1.10 for -1L. Switching characteristics are specified on a per-speed-grade basis and can be designated as Advance, Preliminary, or Production. Each designation is defined as follows:

Advance

These specifications are based on simulations only and are typically available soon after device design specifications are frozen. Although speed grades with this designation are considered relatively stable and conservative, some under-reporting might still occur.

Preliminary

These specifications are based on complete ES (engineering sample) silicon characterization. Devices and speed grades with this designation are intended to give a better indication of the expected performance of production silicon. The probability of under-reporting delays is greatly reduced as compared to Advance data.

Production

These specifications are released once enough production silicon of a particular device family member has been characterized to provide full correlation between specifications and devices over numerous production lots. There is no under-reporting of delays, and customers receive formal notification of any subsequent changes. Typically, the slowest speed grades transition to Production before faster speed grades.

All specifications are always representative of worst-case supply voltage and junction temperature conditions.

Testing of Switching Characteristics

All devices are 100% functionally tested. Internal timing parameters are derived from measuring internal test patterns. Listed below are representative values.

For more specific, more precise, and worst-case guaranteed data, use the values reported by the static timing analyzer and back-annotate to the simulation net list. Unless otherwise noted, values apply to all Virtex-6 devices.

Since individual family members are produced at different times, the migration from one category to another depends completely on the status of the fabrication process for each device.

Table 42 correlates the current status of each Virtex-6 device on a per speed grade basis.

Table 42: Virtex-6 Device Speed Grade Designations

Device	Speed Grade Designations		
	Advance	Preliminary	Production
XC6VLX75T			-3, -2, -1, -1L
XC6VLX130T			-3, -2, -1, -1L
XC6VLX195T			-3, -2, -1, -1L
XC6VLX240T			-3, -2, -1, -1L
XC6VLX365T			-3, -2, -1, -1L
XC6VLX550T			-2, -1, -1L
XC6VLX760			-2, -1, -1L
XC6VSX315T			-3, -2, -1, -1L
XC6VSX475T			-2, -1, -1L
XC6VHX250T			-3, -2, -1
XC6VHX255T			-3, -2, -1
XC6VHX380T			-3, -2, -1
XC6VHX565T			-2, -1
XQ6VLX130T			-2, -1, -1L
XQ6VLX240T			-2, -1, -1L
XQ6VLX550T			-1, -1L
XQ6VSX315T			-2, -1, -1L
XQ6VSX475T			-1, -1L

Production Silicon and ISE Software Status

In some cases, a particular family member (and speed grade) is released to production before a speed specification is released with the correct label ([Advance](#), [Preliminary](#), [Production](#)). Any labeling discrepancies are corrected in subsequent speed specification releases.

[Table 43](#) lists the production released Virtex-6 family member, speed grade, and the minimum corresponding supported speed specification version and ISE software revisions. The ISE® software and speed specifications listed are the minimum releases required for production. All subsequent releases of software and speed specifications are valid.

Table 43: Virtex-6 Device Production Software and Speed Specification Release

Device	Speed Grade Designations			
	-3	-2	-1	-1L
XC6VLX75T		ISE 12.2 v1.08		ISE 12.3 v1.07 Patch
XC6VLX130T	ISE 12.1 v1.06	ISE 11.5 v1.05 ⁽²⁾	ISE 11.5 v1.05 ⁽²⁾	ISE 12.2 v1.05
XC6VLX195T	ISE 12.1 v1.06	ISE 12.1 v1.06	ISE 12.1 v1.06	ISE 12.2 v1.04
XC6VLX240T	ISE 12.1 v1.06	ISE 11.4.1 v1.04 ⁽²⁾	ISE 11.4.1 v1.04 ⁽²⁾	ISE 12.2 v1.04
XC6VLX365T		ISE 12.2 v1.08		ISE 12.2 v1.04
XC6VLX550T	N/A	ISE 12.2 v1.07		ISE 12.2 v1.04
XC6VLX760	N/A	ISE 12.2 v1.08		ISE 12.3 v1.07 Patch
XC6VSX315T	ISE 12.2 v1.08	ISE 12.1 v1.06		ISE 12.3 v1.07 Patch
XC6VSX475T	N/A	ISE 12.2 v1.08		ISE 12.3 v1.07 Patch
XC6VHX250T		ISE 12.4 v1.10		N/A
XC6VHX255T		ISE 13.1 v1.14 using the ISE 13.1 software update		N/A
XC6VHX380T		ISE 12.4 v1.10		N/A
XC6VHX565T	N/A	ISE 13.1 v1.14 using the ISE 13.1 software update		N/A
XQ6VLX130T	N/A	ISE 13.3 v1.17 Patch		ISE 13.3 v1.10
XQ6VLX240T	N/A	ISE 13.3 v1.17 Patch		ISE 13.3 v1.10
XQ6VLX550T	N/A	N/A	ISE 13.3 v1.17 Patch	ISE 13.3 v1.10
XQ6VSX315T	N/A	ISE 13.3 v1.17 Patch		ISE 13.3 v1.10
XQ6VSX475T	N/A	N/A	ISE 13.3 v1.17 Patch	ISE 13.3 v1.10

Notes:

- Blank entries indicate a device and/or speed grade in advance or preliminary status.
- Designs utilizing the GTX transceivers must use the software version ISE 12.1 v1.06 or later.

IOB Pad Input/Output/3-State Switching Characteristics

Table 44 (for commercial (XC) Virtex-6 devices) and Table 45 (for the Defense-grade (XQ) Virtex-6 devices) summarizes the values of standard-specific data input delay adjustments, output delays terminating at pads (based on standard) and 3-state delays.

T_{IOPI} is described as the delay from IOB pad through the input buffer to the I-pin of an IOB pad. The delay varies depending on the capability of the SelectIO input buffer.

T_{IOOP} is described as the delay from the O pin to the IOB pad through the output buffer of an IOB pad. The delay varies depending on the capability of the SelectIO output buffer.

T_{IOTP} is described as the delay from the T pin to the IOB pad through the output buffer of an IOB pad, when 3-state is disabled. The delay varies depending on the SelectIO capability of the output buffer.

Table 46 summarizes the value of T_{IOTPHZ} . T_{IOTPHZ} is described as the delay from the T pin to the IOB pad through the output buffer of an IOB pad, when 3-state is enabled (i.e., a high impedance state).

Table 44: IOB Switching Characteristics for the Commercial (XC) Virtex-6 Devices

I/O Standard	T_{IOPI}				T_{IOOP}				T_{IOTP}				Units
	Speed Grade				Speed Grade				Speed Grade				
	-3	-2	-1	-1L	-3	-2	-1	-1L	-3	-2	-1	-1L	
LVDS_25	0.85	0.94	1.09	1.08	1.45	1.54	1.68	1.62	1.45	1.54	1.68	1.62	ns
LVDSEXT_25	0.85	0.94	1.09	1.08	1.53	1.65	1.84	1.73	1.53	1.65	1.84	1.73	ns
HT_25	0.85	0.94	1.09	1.08	1.51	1.62	1.78	1.69	1.51	1.62	1.78	1.69	ns
BLVDS_25	0.85	0.94	1.09	1.08	1.39	1.50	1.67	1.65	1.39	1.50	1.67	1.65	ns
RSDS_25 (point to point)	0.85	0.94	1.09	1.08	1.45	1.54	1.68	1.62	1.45	1.54	1.68	1.62	ns
HSTL_I	0.81	0.91	1.06	1.06	1.45	1.56	1.73	1.71	1.45	1.56	1.73	1.71	ns
HSTL_II	0.81	0.91	1.06	1.06	1.44	1.56	1.74	1.72	1.44	1.56	1.74	1.72	ns
HSTL_III	0.81	0.91	1.06	1.06	1.42	1.54	1.71	1.69	1.42	1.54	1.71	1.69	ns
HSTL_I_18	0.81	0.91	1.06	1.06	1.47	1.58	1.75	1.72	1.47	1.58	1.75	1.72	ns
HSTL_II_18	0.81	0.91	1.06	1.06	1.50	1.62	1.81	1.78	1.50	1.62	1.81	1.78	ns
HSTL_III_18	0.81	0.91	1.06	1.06	1.42	1.54	1.71	1.69	1.42	1.54	1.71	1.69	ns
SSTL2_I	0.81	0.91	1.06	1.06	1.49	1.60	1.77	1.74	1.49	1.60	1.77	1.74	ns
SSTL2_II	0.81	0.91	1.06	1.06	1.42	1.54	1.72	1.71	1.42	1.54	1.72	1.71	ns
SSTL15	0.81	0.91	1.06	1.06	1.42	1.54	1.71	1.69	1.42	1.54	1.71	1.69	ns
LVC MOS25, Slow, 2 mA	0.51	0.57	0.66	0.70	5.09	5.46	6.01	5.63	5.09	5.46	6.01	5.63	ns
LVC MOS25, Slow, 4 mA	0.51	0.57	0.66	0.70	3.30	3.49	3.79	3.65	3.30	3.49	3.79	3.65	ns
LVC MOS25, Slow, 6 mA	0.51	0.57	0.66	0.70	2.62	2.81	3.08	2.95	2.62	2.81	3.08	2.95	ns
LVC MOS25, Slow, 8 mA	0.51	0.57	0.66	0.70	2.21	2.41	2.72	2.59	2.21	2.41	2.72	2.59	ns
LVC MOS25, Slow, 12 mA	0.51	0.57	0.66	0.70	1.80	1.95	2.17	2.10	1.80	1.95	2.17	2.10	ns
LVC MOS25, Slow, 16 mA	0.51	0.57	0.66	0.70	1.89	2.05	2.29	2.21	1.89	2.05	2.29	2.21	ns
LVC MOS25, Slow, 24 mA	0.51	0.57	0.66	0.70	1.68	1.82	2.02	1.98	1.68	1.82	2.02	1.98	ns
LVC MOS25, Fast, 2 mA	0.51	0.57	0.66	0.70	5.12	5.49	6.04	5.62	5.12	5.49	6.04	5.62	ns
LVC MOS25, Fast, 4 mA	0.51	0.57	0.66	0.70	3.28	3.50	3.82	3.65	3.28	3.50	3.82	3.65	ns
LVC MOS25, Fast, 6 mA	0.51	0.57	0.66	0.70	2.56	2.73	2.99	2.88	2.56	2.73	2.99	2.88	ns
LVC MOS25, Fast, 8 mA	0.51	0.57	0.66	0.70	2.11	2.33	2.65	2.53	2.11	2.33	2.65	2.53	ns
LVC MOS25, Fast, 12 mA	0.51	0.57	0.66	0.70	1.74	1.88	2.08	2.03	1.74	1.88	2.08	2.03	ns
LVC MOS25, Fast, 16 mA	0.51	0.57	0.66	0.70	1.77	1.92	2.13	2.08	1.77	1.92	2.13	2.08	ns

Table 44: IOB Switching Characteristics for the Commercial (XC) Virtex-6 Devices (Cont'd)

I/O Standard	T _{IOPI}				T _{IOOP}				T _{IOTP}				Units
	Speed Grade				Speed Grade				Speed Grade				
	-3	-2	-1	-1L	-3	-2	-1	-1L	-3	-2	-1	-1L	
LVC MOS25, Fast, 24 mA	0.51	0.57	0.66	0.70	1.66	1.79	1.99	1.96	1.66	1.79	1.99	1.96	ns
LVC MOS18, Slow, 2 mA	0.55	0.61	0.71	0.73	4.21	4.47	4.87	4.30	4.21	4.47	4.87	4.30	ns
LVC MOS18, Slow, 4 mA	0.55	0.61	0.71	0.73	2.79	2.96	3.21	2.94	2.79	2.96	3.21	2.94	ns
LVC MOS18, Slow, 6 mA	0.55	0.61	0.71	0.73	2.30	2.43	2.64	2.47	2.30	2.43	2.64	2.47	ns
LVC MOS18, Slow, 8 mA	0.55	0.61	0.71	0.73	2.01	2.11	2.27	2.24	2.01	2.11	2.27	2.24	ns
LVC MOS18, Slow, 12 mA	0.55	0.61	0.71	0.73	1.88	1.99	2.15	2.10	1.88	1.99	2.15	2.10	ns
LVC MOS18, Slow, 16 mA	0.55	0.61	0.71	0.73	1.84	1.95	2.11	2.04	1.84	1.95	2.11	2.04	ns
LVC MOS18, Fast, 2 mA	0.55	0.61	0.71	0.73	4.00	4.23	4.57	4.08	4.00	4.23	4.57	4.08	ns
LVC MOS18, Fast, 4 mA	0.55	0.61	0.71	0.73	2.62	2.76	2.97	2.74	2.62	2.76	2.97	2.74	ns
LVC MOS18, Fast, 6 mA	0.55	0.61	0.71	0.73	2.15	2.28	2.46	2.32	2.15	2.28	2.46	2.32	ns
LVC MOS18, Fast, 8 mA	0.55	0.61	0.71	0.73	1.90	1.99	2.13	2.14	1.90	1.99	2.13	2.14	ns
LVC MOS18, Fast, 12 mA	0.55	0.61	0.71	0.73	1.69	1.80	1.97	1.88	1.69	1.80	1.97	1.88	ns
LVC MOS18, Fast, 16 mA	0.55	0.61	0.71	0.73	1.63	1.74	1.91	1.88	1.63	1.74	1.91	1.88	ns
LVC MOS15, Slow, 2 mA	0.64	0.73	0.85	0.85	3.43	3.77	4.29	3.91	3.43	3.77	4.29	3.91	ns
LVC MOS15, Slow, 4 mA	0.64	0.73	0.85	0.85	2.58	2.79	3.10	2.93	2.58	2.79	3.10	2.93	ns
LVC MOS15, Slow, 6 mA	0.64	0.73	0.85	0.85	2.08	2.32	2.68	2.50	2.08	2.32	2.68	2.50	ns
LVC MOS15, Slow, 8 mA	0.64	0.73	0.85	0.85	1.81	1.98	2.23	2.24	1.81	1.98	2.23	2.24	ns
LVC MOS15, Slow, 12 mA	0.64	0.73	0.85	0.85	1.76	1.91	2.13	2.07	1.76	1.91	2.13	2.07	ns
LVC MOS15, Slow, 16 mA	0.64	0.73	0.85	0.85	1.69	1.83	2.04	1.98	1.69	1.83	2.04	1.98	ns
LVC MOS15, Fast, 2 mA	0.64	0.73	0.85	0.85	3.44	3.77	4.28	3.91	3.44	3.77	4.28	3.91	ns
LVC MOS15, Fast, 4 mA	0.64	0.73	0.85	0.85	2.37	2.53	2.78	2.66	2.37	2.53	2.78	2.66	ns
LVC MOS15, Fast, 6 mA	0.64	0.73	0.85	0.85	1.80	2.05	2.42	2.16	1.80	2.05	2.42	2.16	ns
LVC MOS15, Fast, 8 mA	0.64	0.73	0.85	0.85	1.76	1.90	2.11	2.04	1.76	1.90	2.11	2.04	ns
LVC MOS15, Fast, 12 mA	0.64	0.73	0.85	0.85	1.64	1.77	1.97	1.90	1.64	1.77	1.97	1.90	ns
LVC MOS15, Fast, 16 mA	0.64	0.73	0.85	0.85	1.62	1.76	1.96	1.92	1.62	1.76	1.96	1.92	ns
LVC MOS12, Slow, 2 mA	0.72	0.81	0.93	0.95	3.14	3.39	3.75	3.54	3.14	3.39	3.75	3.54	ns
LVC MOS12, Slow, 4 mA	0.72	0.81	0.93	0.95	2.43	2.63	2.93	2.79	2.43	2.63	2.93	2.79	ns
LVC MOS12, Slow, 6 mA	0.72	0.81	0.93	0.95	1.92	2.11	2.41	2.26	1.92	2.11	2.41	2.26	ns
LVC MOS12, Slow, 8 mA	0.72	0.81	0.93	0.95	1.87	2.02	2.25	2.17	1.87	2.02	2.25	2.17	ns
LVC MOS12, Fast, 2 mA	0.72	0.81	0.93	0.95	2.71	2.98	3.39	3.11	2.71	2.98	3.39	3.11	ns
LVC MOS12, Fast, 4 mA	0.72	0.81	0.93	0.95	1.93	2.16	2.51	2.31	1.93	2.16	2.51	2.31	ns
LVC MOS12, Fast, 6 mA	0.72	0.81	0.93	0.95	1.75	1.89	2.11	2.05	1.75	1.89	2.11	2.05	ns
LVC MOS12, Fast, 8 mA	0.72	0.81	0.93	0.95	1.69	1.82	2.02	1.98	1.69	1.82	2.02	1.98	ns
LVDCI_25	0.51	0.57	0.66	0.70	2.05	2.14	2.26	2.26	2.05	2.14	2.26	2.26	ns
LVDCI_18	0.55	0.61	0.71	0.73	2.07	2.23	2.47	2.38	2.07	2.23	2.47	2.38	ns
LVDCI_15	0.64	0.73	0.85	0.85	1.85	2.01	2.24	2.18	1.85	2.01	2.24	2.18	ns

Table 44: IOB Switching Characteristics for the Commercial (XC) Virtex-6 Devices (Cont'd)

I/O Standard	T _{IOPI}				T _{IOOP}				T _{IOTP}				Units
	Speed Grade				Speed Grade				Speed Grade				
	-3	-2	-1	-1L	-3	-2	-1	-1L	-3	-2	-1	-1L	
LVDCI_DV2_25	0.51	0.57	0.66	0.70	1.71	1.83	2.01	2.00	1.71	1.83	2.01	2.00	ns
LVDCI_DV2_18	0.55	0.61	0.71	0.73	1.69	1.81	2.00	1.98	1.69	1.81	2.00	1.98	ns
LVDCI_DV2_15	0.64	0.73	0.85	0.85	1.68	1.77	1.91	1.98	1.68	1.77	1.91	1.98	ns
LVPECL_25	0.85	0.94	1.09	1.08	1.38	1.49	1.65	1.64	1.38	1.49	1.65	1.64	ns
HSTL_I_12	0.81	0.91	1.06	1.06	1.48	1.60	1.78	1.74	1.48	1.60	1.78	1.74	ns
HSTL_I_DCI	0.81	0.91	1.06	1.06	1.40	1.50	1.66	1.64	1.40	1.50	1.66	1.64	ns
HSTL_II_DCI	0.81	0.91	1.06	1.06	1.37	1.49	1.68	1.66	1.37	1.49	1.68	1.66	ns
HSTL_II_T_DCI	0.81	0.91	1.06	1.06	1.40	1.50	1.66	1.64	1.40	1.50	1.66	1.64	ns
HSTL_III_DCI	0.81	0.91	1.06	1.06	1.34	1.45	1.62	1.61	1.34	1.45	1.62	1.61	ns
HSTL_I_DCI_18	0.81	0.91	1.06	1.06	1.42	1.53	1.68	1.66	1.42	1.53	1.68	1.66	ns
HSTL_II_DCI_18	0.81	0.91	1.06	1.06	1.36	1.46	1.62	1.59	1.36	1.46	1.62	1.59	ns
HSTL_II_T_DCI_18	0.81	0.91	1.06	1.06	1.42	1.53	1.68	1.66	1.42	1.53	1.68	1.66	ns
HSTL_III_DCI_18	0.81	0.91	1.06	1.06	1.43	1.54	1.69	1.67	1.43	1.54	1.69	1.67	ns
DIFF_HSTL_I_18	0.85	0.94	1.09	1.08	1.47	1.58	1.75	1.72	1.47	1.58	1.75	1.72	ns
DIFF_HSTL_I_DCI_18	0.85	0.94	1.09	1.08	1.42	1.53	1.68	1.66	1.42	1.53	1.68	1.66	ns
DIFF_HSTL_I	0.85	0.94	1.09	1.08	1.45	1.56	1.73	1.71	1.45	1.56	1.73	1.71	ns
DIFF_HSTL_I_DCI	0.85	0.94	1.09	1.08	1.40	1.50	1.66	1.64	1.40	1.50	1.66	1.64	ns
DIFF_HSTL_II_18	0.85	0.94	1.09	1.08	1.50	1.62	1.81	1.78	1.50	1.62	1.81	1.78	ns
DIFF_HSTL_II_DCI_18	0.85	0.94	1.09	1.08	1.36	1.46	1.62	1.59	1.36	1.46	1.62	1.59	ns
DIFF_HSTL_II_T_DCI_18	0.85	0.94	1.09	1.08	1.42	1.53	1.68	1.66	1.42	1.53	1.68	1.66	ns
DIFF_HSTL_II	0.85	0.94	1.09	1.08	1.44	1.56	1.74	1.72	1.44	1.56	1.74	1.72	ns
DIFF_HSTL_II_DCI	0.85	0.94	1.09	1.08	1.37	1.49	1.68	1.66	1.37	1.49	1.68	1.66	ns
SSTL2_I_DCI	0.81	0.91	1.06	1.06	1.42	1.53	1.70	1.68	1.42	1.53	1.70	1.68	ns
SSTL2_II_DCI	0.81	0.91	1.06	1.06	1.39	1.50	1.67	1.69	1.39	1.50	1.67	1.69	ns
SSTL2_II_T_DCI	0.81	0.91	1.06	1.06	1.42	1.53	1.70	1.68	1.42	1.53	1.70	1.68	ns
SSTL18_I	0.81	0.91	1.06	1.06	1.47	1.58	1.75	1.73	1.47	1.58	1.75	1.73	ns
SSTL18_II	0.81	0.91	1.06	1.06	1.39	1.50	1.67	1.66	1.39	1.50	1.67	1.66	ns
SSTL18_I_DCI	0.81	0.91	1.06	1.06	1.40	1.51	1.67	1.65	1.40	1.51	1.67	1.65	ns
SSTL18_II_DCI	0.81	0.91	1.06	1.06	1.36	1.47	1.63	1.62	1.36	1.47	1.63	1.62	ns
SSTL18_II_T_DCI	0.81	0.91	1.06	1.06	1.40	1.51	1.67	1.65	1.40	1.51	1.67	1.65	ns
SSTL15_T_DCI	0.81	0.91	1.06	1.06	1.41	1.52	1.68	1.66	1.41	1.52	1.68	1.66	ns
SSTL15_DCI	0.81	0.91	1.06	1.06	1.41	1.52	1.68	1.66	1.41	1.52	1.68	1.66	ns
DIFF_SSTL2_I	0.85	0.94	1.09	1.08	1.49	1.60	1.77	1.74	1.49	1.60	1.77	1.74	ns
DIFF_SSTL2_I_DCI	0.85	0.94	1.09	1.08	1.42	1.53	1.70	1.68	1.42	1.53	1.70	1.68	ns
DIFF_SSTL2_II	0.85	0.94	1.09	1.08	1.42	1.54	1.72	1.71	1.42	1.54	1.72	1.71	ns
DIFF_SSTL2_II_DCI	0.85	0.94	1.09	1.08	1.39	1.50	1.67	1.69	1.39	1.50	1.67	1.69	ns
DIFF_SSTL2_II_T_DCI	0.85	0.94	1.09	1.08	1.42	1.53	1.70	1.68	1.42	1.53	1.70	1.68	ns

Table 44: IOB Switching Characteristics for the Commercial (XC) Virtex-6 Devices (Cont'd)

I/O Standard	T _{IOPI}				T _{IOOP}				T _{IOTP}				Units
	Speed Grade				Speed Grade				Speed Grade				
	-3	-2	-1	-1L	-3	-2	-1	-1L	-3	-2	-1	-1L	
DIFF_SSTL18_I	0.85	0.94	1.09	1.08	1.47	1.58	1.75	1.73	1.47	1.58	1.75	1.73	ns
DIFF_SSTL18_I_DCI	0.85	0.94	1.09	1.08	1.40	1.51	1.67	1.65	1.40	1.51	1.67	1.65	ns
DIFF_SSTL18_II	0.85	0.94	1.09	1.08	1.39	1.50	1.67	1.66	1.39	1.50	1.67	1.66	ns
DIFF_SSTL18_II_DCI	0.85	0.94	1.09	1.08	1.36	1.47	1.63	1.62	1.36	1.47	1.63	1.62	ns
DIFF_SSTL18_II_T_DCI	0.85	0.94	1.09	1.08	1.40	1.51	1.67	1.65	1.40	1.51	1.67	1.65	ns
DIFF_SSTL15	0.81	0.91	1.06	1.06	1.42	1.54	1.71	1.69	1.42	1.54	1.71	1.69	ns
DIFF_SSTL15_DCI	0.81	0.91	1.06	1.06	1.41	1.52	1.68	1.66	1.41	1.52	1.68	1.66	ns
DIFF_SSTL15_T_DCI	0.81	0.91	1.06	1.06	1.41	1.52	1.68	1.66	1.41	1.52	1.68	1.66	ns

Table 45: IOB Switching Characteristics for the Defense-grade (XQ) Virtex-6 Devices

I/O Standard	T _{IOPI}			T _{IOOP}			T _{IOTP}			Units
	Speed Grade			Speed Grade			Speed Grade			
	-2	-1	-1L	-2	-1	-1L	-2	-1	-1L	
LVDS_25	0.94	1.09	1.08	1.54	2.16	1.62	1.54	2.16	1.62	ns
LVDSEXT_25	0.94	1.09	1.08	1.65	2.20	1.73	1.65	2.20	1.73	ns
HT_25	0.94	1.09	1.08	1.62	2.20	1.69	1.62	2.20	1.69	ns
BLVDS_25	0.94	1.09	1.08	1.50	3.18	1.65	1.50	3.18	1.65	ns
RSDS_25 (point to point)	0.94	1.09	1.08	1.54	2.22	1.62	1.54	2.22	1.62	ns
HSTL_I	0.91	1.06	1.06	1.56	2.44	1.71	1.56	2.44	1.71	ns
HSTL_II	0.91	1.06	1.06	1.56	2.21	1.72	1.56	2.21	1.72	ns
HSTL_III	0.91	1.06	1.06	1.54	2.50	1.69	1.54	2.50	1.69	ns
HSTL_I_18	0.91	1.06	1.06	1.58	2.43	1.72	1.58	2.43	1.72	ns
HSTL_II_18	0.91	1.06	1.06	1.62	2.30	1.78	1.62	2.30	1.78	ns
HSTL_III_18	0.91	1.06	1.06	1.54	2.49	1.69	1.54	2.49	1.69	ns
SSTL2_I	0.91	1.06	1.06	1.60	2.50	1.74	1.60	2.50	1.74	ns
SSTL2_II	0.91	1.06	1.06	1.54	2.49	1.71	1.54	2.49	1.71	ns
SSTL15	0.91	1.06	1.06	1.54	2.07	1.69	1.54	2.07	1.69	ns
LVC MOS25, Slow, 2 mA	0.57	0.66	0.70	5.46	6.01	5.63	5.46	6.01	5.63	ns
LVC MOS25, Slow, 4 mA	0.57	0.66	0.70	3.49	3.79	3.65	3.49	3.79	3.65	ns
LVC MOS25, Slow, 6 mA	0.57	0.66	0.70	2.81	3.08	2.95	2.81	3.08	2.95	ns
LVC MOS25, Slow, 8 mA	0.57	0.66	0.70	2.41	2.72	2.59	2.41	2.72	2.59	ns
LVC MOS25, Slow, 12 mA	0.57	0.66	0.70	1.95	2.23	2.10	1.95	2.23	2.10	ns
LVC MOS25, Slow, 16 mA	0.57	0.66	0.70	2.05	2.29	2.21	2.05	2.29	2.21	ns
LVC MOS25, Slow, 24 mA	0.57	0.66	0.70	1.82	2.24	1.98	1.82	2.24	1.98	ns
LVC MOS25, Fast, 2 mA	0.57	0.66	0.70	5.49	6.04	5.62	5.49	6.04	5.62	ns
LVC MOS25, Fast, 4 mA	0.57	0.66	0.70	3.50	3.82	3.65	3.50	3.82	3.65	ns
LVC MOS25, Fast, 6 mA	0.57	0.66	0.70	2.73	2.99	2.88	2.73	2.99	2.88	ns
LVC MOS25, Fast, 8 mA	0.57	0.66	0.70	2.33	2.65	2.53	2.33	2.65	2.53	ns
LVC MOS25, Fast, 12 mA	0.57	0.66	0.70	1.88	2.08	2.03	1.88	2.08	2.03	ns

Table 45: IOB Switching Characteristics for the Defense-grade (XQ) Virtex-6 Devices (Cont'd)

I/O Standard	T _{IOPI}			T _{IOOP}			T _{IOTP}			Units
	Speed Grade			Speed Grade			Speed Grade			
	-2	-1	-1L	-2	-1	-1L	-2	-1	-1L	
LVC MOS25, Fast, 16 mA	0.57	0.66	0.70	1.92	2.15	2.08	1.92	2.15	2.08	ns
LVC MOS25, Fast, 24 mA	0.57	0.66	0.70	1.79	2.15	1.96	1.79	2.15	1.96	ns
LVC MOS18, Slow, 2 mA	0.61	0.71	0.73	4.47	4.87	4.30	4.47	4.87	4.30	ns
LVC MOS18, Slow, 4 mA	0.61	0.71	0.73	2.96	3.21	2.94	2.96	3.21	2.94	ns
LVC MOS18, Slow, 6 mA	0.61	0.71	0.73	2.43	2.64	2.47	2.43	2.64	2.47	ns
LVC MOS18, Slow, 8 mA	0.61	0.71	0.73	2.11	2.41	2.24	2.11	2.41	2.24	ns
LVC MOS18, Slow, 12 mA	0.61	0.71	0.73	1.99	2.30	2.10	1.99	2.30	2.10	ns
LVC MOS18, Slow, 16 mA	0.61	0.71	0.73	1.95	2.30	2.04	1.95	2.30	2.04	ns
LVC MOS18, Fast, 2 mA	0.61	0.71	0.73	4.23	4.57	4.08	4.23	4.57	4.08	ns
LVC MOS18, Fast, 4 mA	0.61	0.71	0.73	2.76	2.97	2.74	2.76	2.97	2.74	ns
LVC MOS18, Fast, 6 mA	0.61	0.71	0.73	2.28	2.46	2.32	2.28	2.46	2.32	ns
LVC MOS18, Fast, 8 mA	0.61	0.71	0.73	1.99	2.34	2.14	1.99	2.34	2.14	ns
LVC MOS18, Fast, 12 mA	0.61	0.71	0.73	1.80	2.19	1.88	1.80	2.19	1.88	ns
LVC MOS18, Fast, 16 mA	0.61	0.71	0.73	1.74	2.18	1.88	1.74	2.18	1.88	ns
LVC MOS15, Slow, 2 mA	0.73	0.85	0.85	3.77	4.29	3.91	3.77	4.29	3.91	ns
LVC MOS15, Slow, 4 mA	0.73	0.85	0.85	2.79	3.10	2.93	2.79	3.10	2.93	ns
LVC MOS15, Slow, 6 mA	0.73	0.85	0.85	2.32	2.68	2.50	2.32	2.68	2.50	ns
LVC MOS15, Slow, 8 mA	0.73	0.85	0.85	1.98	2.29	2.24	1.98	2.29	2.24	ns
LVC MOS15, Slow, 12 mA	0.73	0.85	0.85	1.91	2.23	2.07	1.91	2.23	2.07	ns
LVC MOS15, Slow, 16 mA	0.73	0.85	0.85	1.83	2.23	1.98	1.83	2.23	1.98	ns
LVC MOS15, Fast, 2 mA	0.73	0.85	0.85	3.77	4.28	3.91	3.77	4.28	3.91	ns
LVC MOS15, Fast, 4 mA	0.73	0.85	0.85	2.53	2.78	2.66	2.53	2.78	2.66	ns
LVC MOS15, Fast, 6 mA	0.73	0.85	0.85	2.05	2.42	2.16	2.05	2.42	2.16	ns
LVC MOS15, Fast, 8 mA	0.73	0.85	0.85	1.90	2.20	2.04	1.90	2.20	2.04	ns
LVC MOS15, Fast, 12 mA	0.73	0.85	0.85	1.77	2.11	1.90	1.77	2.11	1.90	ns
LVC MOS15, Fast, 16 mA	0.73	0.85	0.85	1.76	2.11	1.92	1.76	2.11	1.92	ns
LVC MOS12, Slow, 2 mA	0.81	0.93	0.95	3.39	3.75	3.54	3.39	3.75	3.54	ns
LVC MOS12, Slow, 4 mA	0.81	0.93	0.95	2.63	2.93	2.79	2.63	2.93	2.79	ns
LVC MOS12, Slow, 6 mA	0.81	0.93	0.95	2.11	2.67	2.26	2.11	2.67	2.26	ns
LVC MOS12, Slow, 8 mA	0.81	0.93	0.95	2.02	2.25	2.17	2.02	2.25	2.17	ns
LVC MOS12, Fast, 2 mA	0.81	0.93	0.95	2.98	3.39	3.11	2.98	3.39	3.11	ns
LVC MOS12, Fast, 4 mA	0.81	0.93	0.95	2.16	2.70	2.31	2.16	2.70	2.31	ns
LVC MOS12, Fast, 6 mA	0.81	0.93	0.95	1.89	2.34	2.05	1.89	2.34	2.05	ns
LVC MOS12, Fast, 8 mA	0.81	0.93	0.95	1.82	2.10	1.98	1.82	2.10	1.98	ns
LVDCI_25	0.57	0.70	0.70	2.14	2.82	2.26	2.14	2.82	2.26	ns
LVDCI_18	0.61	0.71	0.73	2.23	2.78	2.38	2.23	2.78	2.38	ns
LVDCI_15	0.73	0.85	0.85	2.01	2.75	2.18	2.01	2.75	2.18	ns
LVDCI_DV2_25	0.57	0.70	0.70	1.83	2.37	2.00	1.83	2.37	2.00	ns

Table 45: IOB Switching Characteristics for the Defense-grade (XQ) Virtex-6 Devices (Cont'd)

I/O Standard	T _{IOPI}			T _{IOOP}			T _{IOTP}			Units
	Speed Grade			Speed Grade			Speed Grade			
	-2	-1	-1L	-2	-1	-1L	-2	-1	-1L	
LVDCI_DV2_18	0.61	0.72	0.73	1.81	2.36	1.98	1.81	2.36	1.98	ns
LVDCI_DV2_15	0.73	0.85	0.85	1.77	2.30	1.98	1.77	2.30	1.98	ns
LVPECL_25	0.94	1.09	1.08	1.49	2.68	1.64	1.49	2.68	1.64	ns
HSTL_I_12	0.91	1.06	1.06	1.60	2.48	1.74	1.60	2.48	1.74	ns
HSTL_I_DCI	0.91	1.06	1.06	1.50	2.43	1.64	1.50	2.43	1.64	ns
HSTL_II_DCI	0.91	1.06	1.06	1.49	2.39	1.66	1.49	2.39	1.66	ns
HSTL_II_T_DCI	0.91	1.06	1.06	1.50	2.43	1.64	1.50	2.43	1.64	ns
HSTL_III_DCI	0.91	1.06	1.06	1.45	2.48	1.61	1.45	2.48	1.61	ns
HSTL_I_DCI_18	0.91	1.06	1.06	1.53	2.44	1.66	1.53	2.44	1.66	ns
HSTL_II_DCI_18	0.91	1.06	1.06	1.46	2.41	1.59	1.46	2.41	1.59	ns
HSTL_II_T_DCI_18	0.91	1.06	1.06	1.53	2.43	1.66	1.53	2.43	1.66	ns
HSTL_III_DCI_18	0.91	1.06	1.06	1.54	2.50	1.67	1.54	2.50	1.67	ns
DIFF_HSTL_I_18	0.94	1.09	1.08	1.58	2.30	1.72	1.58	2.30	1.72	ns
DIFF_HSTL_I_DCI_18	0.94	1.09	1.08	1.53	2.21	1.66	1.53	2.21	1.66	ns
DIFF_HSTL_I	0.94	1.09	1.08	1.56	2.28	1.71	1.56	2.28	1.71	ns
DIFF_HSTL_I_DCI	0.94	1.09	1.08	1.50	2.28	1.64	1.50	2.28	1.64	ns
DIFF_HSTL_II_18	0.94	1.09	1.08	1.62	2.33	1.78	1.62	2.33	1.78	ns
DIFF_HSTL_II_DCI_18	0.94	1.09	1.08	1.46	2.18	1.59	1.46	2.18	1.59	ns
DIFF_HSTL_II_T_DCI_18	0.94	1.09	1.08	1.53	2.22	1.66	1.53	2.22	1.66	ns
DIFF_HSTL_II	0.94	1.09	1.08	1.56	2.29	1.72	1.56	2.29	1.72	ns
DIFF_HSTL_II_DCI	0.94	1.09	1.08	1.49	2.26	1.66	1.49	2.26	1.66	ns
SSTL2_I_DCI	0.91	1.06	1.06	1.53	2.51	1.68	1.53	2.51	1.68	ns
SSTL2_II_DCI	0.91	1.06	1.06	1.50	2.50	1.69	1.50	2.50	1.69	ns
SSTL2_II_T_DCI	0.91	1.06	1.06	1.53	2.52	1.68	1.53	2.52	1.68	ns
SSTL18_I	0.91	1.06	1.06	1.58	2.48	1.73	1.58	2.48	1.73	ns
SSTL18_II	0.91	1.06	1.06	1.50	2.46	1.66	1.50	2.46	1.66	ns
SSTL18_I_DCI	0.91	1.06	1.06	1.51	2.49	1.65	1.51	2.49	1.65	ns
SSTL18_II_DCI	0.91	1.06	1.06	1.47	2.41	1.62	1.47	2.41	1.62	ns
SSTL18_II_T_DCI	0.91	1.06	1.06	1.51	2.49	1.65	1.51	2.49	1.65	ns
SSTL15_T_DCI	0.91	1.06	1.06	1.52	2.48	1.66	1.52	2.48	1.66	ns
SSTL15_DCI	0.91	1.06	1.06	1.52	2.48	1.66	1.52	2.48	1.66	ns
DIFF_SSTL2_I	0.94	1.09	1.08	1.60	2.34	1.74	1.60	2.34	1.74	ns
DIFF_SSTL2_I_DCI	0.94	1.09	1.08	1.53	2.25	1.68	1.53	2.25	1.68	ns
DIFF_SSTL2_II	0.94	1.09	1.08	1.54	2.29	1.71	1.54	2.29	1.71	ns
DIFF_SSTL2_II_DCI	0.94	1.09	1.08	1.50	2.23	1.69	1.50	2.23	1.69	ns
DIFF_SSTL2_II_T_DCI	0.94	1.09	1.08	1.53	2.26	1.68	1.53	2.26	1.68	ns
DIFF_SSTL18_I	0.94	1.09	1.08	1.58	2.22	1.73	1.58	2.22	1.73	ns
DIFF_SSTL18_I_DCI	0.94	1.09	1.08	1.51	2.30	1.65	1.51	2.30	1.65	ns

Table 45: IOB Switching Characteristics for the Defense-grade (XQ) Virtex-6 Devices (Cont'd)

I/O Standard	T_{IOPI}			T_{IOOP}			T_{IOTP}			Units
	Speed Grade			Speed Grade			Speed Grade			
	-2	-1	-1L	-2	-1	-1L	-2	-1	-1L	
DIFF_SSTL18_II	0.94	1.09	1.08	1.50	2.27	1.66	1.50	2.27	1.66	ns
DIFF_SSTL18_II_DCI	0.94	1.09	1.08	1.47	2.20	1.62	1.47	2.20	1.62	ns
DIFF_SSTL18_II_T_DCI	0.94	1.09	1.08	1.51	2.30	1.65	1.51	2.30	1.65	ns
DIFF_SSTL15	0.91	1.06	1.06	1.54	2.25	1.69	1.54	2.25	1.69	ns
DIFF_SSTL15_DCI	0.91	1.06	1.06	1.52	2.25	1.66	1.52	2.25	1.66	ns
DIFF_SSTL15_T_DCI	0.91	1.06	1.06	1.52	2.25	1.66	1.52	2.25	1.66	ns

 Table 46: IOB 3-state ON Output Switching Characteristics (T_{IOTPHZ})

Symbol	Description	Speed Grade				Units
		-3	-2	-1	-1L	
T_{IOTPHZ}	T input to Pad high-impedance	0.86	0.92	0.99	0.99	ns

I/O Standard Adjustment Measurement Methodology

Input Delay Measurements

Table 47 shows the test setup parameters used for measuring input delay.

Table 47: Input Delay Measurement Methodology

Description	I/O Standard Attribute	V_L (1)(2)	V_H (1)(2)	V_{MEAS} (1)(4)(5)	V_{REF} (1)(3)(5)
LVC MOS, 2.5V	LVC MOS25	0	2.5	1.25	–
LVC MOS, 1.8V	LVC MOS18	0	1.8	0.9	–
LVC MOS, 1.5V	LVC MOS15	0	1.5	0.75	–
HSTL (High-Speed Transceiver Logic), Class I & II	HSTL_I, HSTL_II	$V_{REF} - 0.5$	$V_{REF} + 0.5$	V_{REF}	0.75
HSTL, Class III	HSTL_III	$V_{REF} - 0.5$	$V_{REF} + 0.5$	V_{REF}	0.90
HSTL, Class I & II, 1.8V	HSTL_I_18, HSTL_II_18	$V_{REF} - 0.5$	$V_{REF} + 0.5$	V_{REF}	0.90
HSTL, Class III 1.8V	HSTL_III_18	$V_{REF} - 0.5$	$V_{REF} + 0.5$	V_{REF}	1.08
SSTL (Stub Terminated Transceiver Logic), Class I & II, 3.3V	SSTL3_I, SSTL3_II	$V_{REF} - 1.00$	$V_{REF} + 1.00$	V_{REF}	1.5
SSTL, Class I & II, 2.5V	SSTL2_I, SSTL2_II	$V_{REF} - 0.75$	$V_{REF} + 0.75$	V_{REF}	1.25
SSTL, Class I & II, 1.8V	SSTL18_I, SSTL18_II	$V_{REF} - 0.5$	$V_{REF} + 0.5$	V_{REF}	0.90
LVDS (Low-Voltage Differential Signaling), 2.5V	LVDS_25	$1.2 - 0.125$	$1.2 + 0.125$	0 ⁽⁶⁾	–
LVDS EXT (LVDS Extended Mode), 2.5V	LVDS EXT_25	$1.2 - 0.125$	$1.2 + 0.125$	0 ⁽⁶⁾	–
HT (HyperTransport), 2.5V	LDT_25	$0.6 - 0.125$	$0.6 + 0.125$	0 ⁽⁶⁾	–

Notes:

1. The input delay measurement methodology parameters for LVDCI are the same for LVC MOS standards of the same voltage. Input delay measurement methodology parameters for HSLVDCI are the same as for HSTL_II standards of the same voltage. Parameters for all other DCI standards are the same for the corresponding non-DCI standards.
2. Input waveform switches between V_L and V_H .
3. Measurements are made at typical, minimum, and maximum V_{REF} values. Reported delays reflect worst case of these measurements. V_{REF} values listed are typical.
4. Input voltage level from which measurement starts.
5. This is an input voltage reference that bears no relation to the V_{REF} / V_{MEAS} parameters found in IBIS models and/or noted in Figure 6.
6. The value given is the differential input voltage.

Output Delay Measurements

Output delays are measured using a Tektronix P6245 TDS500/600 probe (< 1 pF) across approximately 4" of FR4 microstrip trace. Standard termination was used for all testing. The propagation delay of the 4" trace is characterized separately and subtracted from the final measurement, and is therefore not included in the generalized test setups shown in Figure 6 and Figure 7.

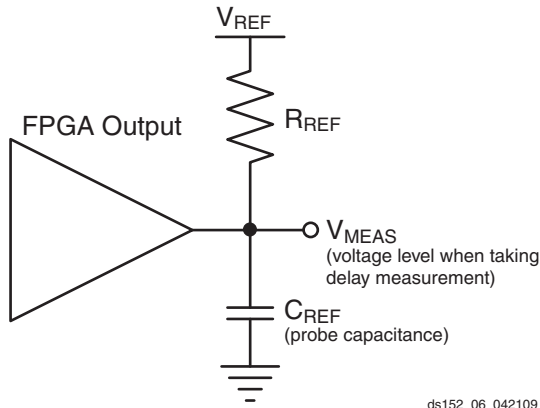


Figure 6: Single Ended Test Setup



ds152_07_042109

Figure 7: Differential Test Setup

Measurements and test conditions are reflected in the IBIS models except where the IBIS format precludes it. Parameters V_{REF} , R_{REF} , C_{REF} , and V_{MEAS} fully describe the test conditions for each I/O standard. The most accurate prediction of propagation delay in any given application can be obtained through IBIS simulation, using the following method:

1. Simulate the output driver of choice into the generalized test setup, using values from Table 48.
2. Record the time to V_{MEAS} .
3. Simulate the output driver of choice into the actual PCB trace and load, using the appropriate IBIS model or capacitance value to represent the load.
4. Record the time to V_{MEAS} .
5. Compare the results of steps 2 and 4. The increase or decrease in delay yields the actual propagation delay of the PCB trace.

Table 48: Output Delay Measurement Methodology

Description	I/O Standard Attribute	R_{REF} (Ω)	$C_{REF}^{(1)}$ (pF)	V_{MEAS} (V)	V_{REF} (V)
LVC MOS, 2.5V	LVC MOS25	1M	0	1.25	0
LVC MOS, 1.8V	LVC MOS18	1M	0	0.9	0
LVC MOS, 1.5V	LVC MOS15	1M	0	0.75	0
LVC MOS, 1.2V	LVC MOS12	1M	0	0.75	0
HSTL (High-Speed Transceiver Logic), Class I	HSTL_I	50	0	V_{REF}	0.75
HSTL, Class II	HSTL_II	25	0	V_{REF}	0.75
HSTL, Class III	HSTL_III	50	0	0.9	1.5
HSTL, Class I, 1.8V	HSTL_I_18	50	0	V_{REF}	0.9
HSTL, Class II, 1.8V	HSTL_II_18	25	0	V_{REF}	0.9
HSTL, Class III, 1.8V	HSTL_III_18	50	0	1.1	1.8
SSTL (Stub Series Terminated Logic), Class I, 1.8V	SSTL18_I	50	0	V_{REF}	0.9
SSTL, Class II, 1.8V	SSTL18_II	25	0	V_{REF}	0.9
SSTL, Class I, 2.5V	SSTL2_I	50	0	V_{REF}	1.25
SSTL, Class II, 2.5V	SSTL2_II	25	0	V_{REF}	1.25
LVDS (Low-Voltage Differential Signaling), 2.5V	LVDS_25	100	0	0 ⁽²⁾	1.2
LVDS EXT (LVDS Extended Mode), 2.5V	LVDS_25	100	0	0 ⁽²⁾	1.2
BLVDS (Bus LVDS), 2.5V	BLVDS_25	100	0	0 ⁽²⁾	0

Table 48: Output Delay Measurement Methodology (Cont'd)

Description	I/O Standard Attribute	R _{REF} (Ω)	C _{REF} ⁽¹⁾ (pF)	V _{MEAS} (V)	V _{REF} (V)
HT (HyperTransport), 2.5V	LDT_25	100	0	0 ⁽²⁾	0.6
LVPECL (Low-Voltage Positive Emitter-Coupled Logic), 2.5V	LVPECL_25	100	0	0 ⁽²⁾	0
LVDCI/HSLVDCI, 2.5V	LVDCI_25, HSLVDCI_25	1M	0	1.25	0
LVDCI/HSLVDCI, 1.8V	LVDCI_18, HSLVDCI_18	1M	0	0.9	0
LVDCI/HSLVDCI, 1.5V	LVDCI_15, HSLVDCI_15	1M	0	0.75	0
HSTL (High-Speed Transceiver Logic), Class I & II, with DCI	HSTL_I_DCI, HSTL_II_DCI	50	0	V _{REF}	0.75
HSTL, Class III, with DCI	HSTL_III_DCI	50	0	0.9	1.5
HSTL, Class I & II, 1.8V, with DCI	HSTL_I_DCI_18, HSTL_II_DCI_18	50	0	V _{REF}	0.9
HSTL, Class III, 1.8V, with DCI	HSTL_III_DCI_18	50	0	1.1	1.8
SSTL (Stub Series Termi.Logic), Class I & II, 1.8V, with DCI	SSTL18_I_DCI, SSTL18_II_DCI	50	0	V _{REF}	0.9
SSTL, Class I & II, 2.5V, with DCI	SSTL2_I_DCI, SSTL2_II_DCI	50	0	V _{REF}	1.25

Notes:

1. C_{REF} is the capacitance of the probe, nominally 0 pF.
2. The value given is the differential output voltage.

Input/Output Logic Switching Characteristics

Table 49: ILOGIC Switching Characteristics

Symbol	Description	Speed Grade				Units
		-3	-2	-1	-1L	
Setup/Hold						
T _{ICE1CK} /T _{ICKCE1}	CE1 pin Setup/Hold with respect to CLK	0.21/ 0.03	0.25/ 0.04	0.27/ 0.04	0.31/ 0.05	ns
T _{ISRCK} /T _{ICKSR}	SR pin Setup/Hold with respect to CLK	0.66/ -0.08	0.78/ -0.08	0.96/ -0.08	1.09/ -0.11	ns
T _{IDOCK} /T _{IOCKD}	D pin Setup/Hold with respect to CLK without Delay	0.07/ 0.41	0.08/ 0.46	0.10/ 0.54	0.11/ 0.64	ns
T _{IDOCKD} /T _{IOCKDD}	DDLY pin Setup/Hold with respect to CLK (using IODELAY)	0.10/ 0.32	0.12/ 0.36	0.14/ 0.42	0.16/ 0.50	ns
Combinatorial						
T _{IDI}	D pin to O pin propagation delay, no Delay	0.15	0.17	0.20	0.23	ns
T _{IDID}	DDLY pin to O pin propagation delay (using IODELAY)	0.19	0.22	0.25	0.28	ns
Sequential Delays						
T _{IDLO}	D pin to Q1 pin using flip-flop as a latch without Delay	0.48	0.54	0.64	0.73	ns
T _{IDLOD}	DDLY pin to Q1 pin using flip-flop as a latch (using IODELAY)	0.52	0.58	0.68	0.78	ns
T _{ICKQ}	CLK to Q outputs	0.54	0.61	0.70	0.93	ns
T _{RQ_ILOGIC}	SR pin to OQ/TQ out	0.85	0.97	1.15	1.32	ns
T _{GSRQ_ILOGIC}	Global Set/Reset to Q outputs	7.60	7.60	10.51	10.51	ns
Set/Reset						
T _{RPW_ILOGIC}	Minimum Pulse Width, SR inputs	0.78	0.95	1.20	1.30	ns, Min

Table 50: OLOGIC Switching Characteristics

Symbol	Description	Speed Grade					Units
		-3	-2	-1 (XC)	-1 (XQ)	-1L	
Setup/Hold							
T_{ODCK}/T_{OCKD}	D1/D2 pins Setup/Hold with respect to CLK	0.45/ -0.08	0.50/ -0.08	0.54/ -0.08	0.54/ -0.08	0.69/ -0.11	ns
T_{OOCECK}/T_{OCKOCE}	OCE pin Setup/Hold with respect to CLK	0.17/ -0.03	0.20/ -0.03	0.22/ -0.03	0.27/ -0.05	0.27/ -0.04	ns
T_{OSRCK}/T_{OCKSR}	SR pin Setup/Hold with respect to CLK	0.59/ -0.24	0.62/ -0.24	0.54/ -0.08	0.54/ -0.08	0.79/ -0.35	ns
T_{OTCK}/T_{OCKT}	T1/T2 pins Setup/Hold with respect to CLK	0.44/ -0.07	0.51/ -0.07	0.56/ -0.07	0.60/ -0.10	0.68/ -0.13	ns
T_{OTCECK}/T_{OCKTCE}	TCE pin Setup/Hold with respect to CLK	0.15/ -0.04	0.19/ -0.04	0.21/ -0.04	0.27/ -0.05	0.29/ -0.05	ns
Combinatorial							
T_{DOQ}	D1 to OQ out or T1 to TQ out	0.78	0.87	1.01	1.01	1.15	ns
Sequential Delays							
T_{OCKQ}	CLK to OQ/TQ out	0.54	0.61	0.71	0.71	0.80	ns
T_{RQ}	SR pin to OQ/TQ out	0.80	0.90	1.05	1.05	1.19	ns
T_{GSRQ}	Global Set/Reset to Q outputs	7.60	7.60	10.51	10.51	10.51	ns
Set/Reset							
T_{RPW}	Minimum Pulse Width, SR inputs	0.78	0.95	1.20	1.20	1.30	ns, Min

Input Serializer/Deserializer Switching Characteristics

Table 51: ISERDES Switching Characteristics

Symbol	Description	Speed Grade					Units
		-3	-2	-1 (XC)	-1 (XQ)	-1L	
Setup/Hold for Control Lines							
$T_{ISCK_BITSLIP} / T_{ISCKC_BITSLIP}$	BITSLIP pin Setup/Hold with respect to CLKDIV	0.07/ 0.15	0.08/ 0.16	0.09/ 0.17	0.09/ 0.17	0.14/ 0.17	ns
$T_{ISCK_CE} / T_{ISCKC_CE}^{(2)}$	CE pin Setup/Hold with respect to CLK (for CE1)	0.20/ 0.03	0.25/ 0.04	0.27/ 0.04	0.27/ 0.04	0.31/ 0.05	ns
$T_{ISCK_CE2} / T_{ISCKC_CE2}^{(2)}$	CE pin Setup/Hold with respect to CLKDIV (for CE2)	0.01/ 0.27	0.01/ 0.29	0.01/ 0.31	0.01/ 0.31	-0.05/ 0.35	ns
Setup/Hold for Data Lines							
$T_{ISDCK_D} / T_{ISCKD_D}$	D pin Setup/Hold with respect to CLK	0.07/ 0.08	0.08/ 0.09	0.09/ 0.11	0.09/ 0.11	0.11/ 0.19	ns
$T_{ISDCK_DDL} / T_{ISCKD_DDL}$	DDL pin Setup/Hold with respect to CLK (using IODELAY) ⁽¹⁾	0.10/ 0.05	0.12/ 0.06	0.14/ 0.07	0.14/ 0.07	0.16/ 0.15	ns
$T_{ISDCK_D_DDR} / T_{ISCKD_D_DDR}$	D pin Setup/Hold with respect to CLK at DDR mode	0.07/ 0.08	0.08/ 0.09	0.09/ 0.11	0.09/ 0.11	0.11/ 0.19	ns
$T_{ISDCK_DDL_DDR} / T_{ISCKD_DDL_DDR}$	D pin Setup/Hold with respect to CLK at DDR mode (using IODELAY) ⁽¹⁾	0.10/ 0.05	0.12/ 0.06	0.14/ 0.07	0.14/ 0.07	0.16/ 0.15	ns
Sequential Delays							
T_{ISCKO_Q}	CLKDIV to out at Q pin	0.57	0.66	0.75	0.80	0.88	ns
Propagation Delays							
T_{ISDO_DO}	D input to DO output pin	0.19	0.22	0.25	0.25	0.28	ns

Notes:

- Recorded at 0 tap value.
- T_{ISCK_CE2} and T_{ISCKC_CE2} are reported as $T_{ISCK_CE} / T_{ISCKC_CE}$ in TRACE report.

Output Serializer/Deserializer Switching Characteristics

Table 52: OSERDES Switching Characteristics

Symbol	Description	Speed Grade					Units
		-3	-2	-1 (XC)	-1 (XQ)	-1L	
Setup/Hold							
T_{OSDCK_D}/T_{OSCKD_D}	D input Setup/Hold with respect to CLKDIV	0.23/ -0.10	0.28/ -0.10	0.31/ -0.10	0.35/ -0.10	0.36/ -0.15	ns
$T_{OSDCK_T}/T_{OSCKD_T}^{(1)}$	T input Setup/Hold with respect to CLK	0.44/ -0.10	0.51/ -0.09	0.56/ -0.08	0.60/ -0.08	0.68/ -0.15	ns
$T_{OSDCK_T2}/T_{OSCKD_T2}^{(1)}$	T input Setup/Hold with respect to CLKDIV	0.25/ -0.10	0.27/ -0.09	0.31/ -0.08	0.31/ -0.08	0.47/ -0.15	ns
$T_{OSCKK_OCE}/T_{OSCKC_OCE}$	OCE input Setup/Hold with respect to CLK	0.17/ -0.03	0.20/ -0.03	0.22/ -0.03	0.27/ -0.03	0.27/ -0.04	ns
T_{OSCKK_S}	SR (Reset) input Setup with respect to CLKDIV	0.07	0.07	0.07	0.07	0.08	ns
$T_{OSCKK_TCE}/T_{OSCKC_TCE}$	TCE input Setup/Hold with respect to CLK	0.15/ -0.04	0.19/ -0.04	0.21/ -0.04	0.27/ -0.04	0.29/ -0.05	ns
Sequential Delays							
T_{OSCKO_OQ}	Clock to out from CLK to OQ	0.63	0.71	0.82	0.82	0.93	ns
T_{OSCKO_TQ}	Clock to out from CLK to TQ	0.63	0.71	0.82	0.82	0.93	ns
Combinatorial							
T_{OSDO_TQ}	T input to TQ Out	0.76	0.84	0.97	0.97	1.11	ns

Notes:

- T_{OSDCK_T2} and T_{OSCKD_T2} are reported as T_{OSDCK_T}/T_{OSCKD_T} in TRACE report.

Input/Output Delay Switching Characteristics

Table 53: Input/Output Delay Switching Characteristics

Symbol	Description	Speed Grade				Units
		-3	-2	-1	-1L	
IDELAYCTRL						
T _{DLYCCO_RDY}	Reset to Ready for IDELAYCTRL	3.00	3.00	3.00	3.25	μs
F _{IDELAYCTRL_REF}	REFCLK frequency = 200.0 ⁽¹⁾	200	200	200	200	MHz
	REFCLK frequency = 300.0 ⁽¹⁾	300	300	–	–	MHz
IDELAYCTRL_REF_PRECISION	REFCLK precision	±10	±10	±10	±10	MHz
T _{IDELAYCTRL_RPW}	Minimum Reset pulse width	50.00	50.00	50.00	52.50	ns
IODELAY						
T _{IDELAYRESOLUTION}	IODELAY Chain Delay Resolution	1/(32 x 2 x F _{REF})				ps
T _{IDELAYPAT_JIT}	Pattern dependent period jitter in delay chain for clock pattern. ⁽²⁾	0	0	0	0	ps per tap
	Pattern dependent period jitter in delay chain for random data pattern (PRBS 23). ⁽³⁾	±5	±5	±5	±5	ps per tap
	Pattern dependent period jitter in delay chain for random data pattern (PRBS 23). ⁽⁴⁾	±9	±9	±9	±9	ps per tap
T _{IODELAY_CLK_MAX}	Maximum frequency of CLK input to IODELAY	500.00	420.00	300.00	300.00	MHz
T _{IODCKC_CE} / T _{IODCKC_CE}	CE pin Setup/Hold with respect to CK	0.45/ –0.09	0.53/ –0.09	0.65/ –0.09	0.84/ –0.14	ns
T _{IODCK_INC} / T _{IODCKC_INC}	INC pin Setup/Hold with respect to CK	0.23/ –0.02	0.27/ –0.01	0.31/ 0.00	0.27/ –0.04	ns
T _{IODCKC_RST} / T _{IODCKC_RST}	RST pin Setup/Hold with respect to CK	0.57/ –0.08	0.62/ –0.08	0.69/ –0.08	0.74/ –0.13	ns
T _{IODDO_T}	TSCONTROL delay to MUXE/MUXF switching and through IODELAY	Note 5	Note 5	Note 5	Note 5	ps
T _{IODDO_IDATAIN}	Propagation delay through IODELAY	Note 5	Note 5	Note 5	Note 5	ps
T _{IODDO_ODATAIN}	Propagation delay through IODELAY	Note 5	Note 5	Note 5	Note 5	ps

Notes:

1. Average Tap Delay at 200 MHz = 78 ps, at 300 MHz = 52 ps.
2. When HIGH_PERFORMANCE mode is set to TRUE or FALSE.
3. When HIGH_PERFORMANCE mode is set to TRUE
4. When HIGH_PERFORMANCE mode is set to FALSE.
5. Delay depends on IODELAY tap setting. See TRACE report for actual values.

CLB Switching Characteristics

Table 54: CLB Switching Characteristics

Symbol	Description	Speed Grade				Units
		-3	-2	-1	-1L	
Combinatorial Delays						
T _{ILO}	An – Dn LUT address to A	0.06	0.07	0.07	0.09	ns, Max
	An – Dn LUT address to AMUX/CMUX	0.18	0.20	0.22	0.25	ns, Max
	An – Dn LUT address to BMUX_A	0.28	0.31	0.36	0.40	ns, Max

Table 54: CLB Switching Characteristics (Cont'd)

Symbol	Description	Speed Grade				Units
		-3	-2	-1	-1L	
T _{ITO}	An – Dn inputs to A – D Q outputs	0.59	0.67	0.79	0.85	ns, Max
T _{AXA}	AX inputs to AMUX output	0.31	0.35	0.42	0.44	ns, Max
T _{AXB}	AX inputs to BMUX output	0.35	0.39	0.47	0.50	ns, Max
T _{AXC}	AX inputs to CMUX output	0.39	0.44	0.52	0.56	ns, Max
T _{AXD}	AX inputs to DMUX output	0.42	0.47	0.55	0.60	ns, Max
T _{BXB}	BX inputs to BMUX output	0.30	0.34	0.39	0.44	ns, Max
T _{BXD}	BX inputs to DMUX output	0.38	0.43	0.50	0.55	ns, Max
T _{CXC}	CX inputs to CMUX output	0.26	0.29	0.34	0.37	ns, Max
T _{CXD}	CX inputs to DMUX output	0.30	0.34	0.40	0.44	ns, Max
T _{DXD}	DX inputs to DMUX output	0.30	0.33	0.38	0.43	ns, Max
T _{OPCYA}	An input to COUT output	0.32	0.36	0.41	0.47	ns, Max
T _{OPCYB}	Bn input to COUT output	0.32	0.36	0.41	0.47	ns, Max
T _{OPCYC}	Cn input to COUT output	0.27	0.30	0.34	0.40	ns, Max
T _{OPCYD}	Dn input to COUT output	0.25	0.28	0.32	0.37	ns, Max
T _{AXCY}	AX input to COUT output	0.25	0.28	0.33	0.36	ns, Max
T _{BXCY}	BX input to COUT output	0.22	0.24	0.28	0.31	ns, Max
T _{CXCY}	CX input to COUT output	0.15	0.17	0.20	0.22	ns, Max
T _{DXCY}	DX input to COUT output	0.14	0.16	0.19	0.21	ns, Max
T _{BYP}	CIN input to COUT output	0.06	0.07	0.08	0.09	ns, Max
T _{CINA}	CIN input to AMUX output	0.21	0.24	0.28	0.30	ns, Max
T _{CINB}	CIN input to BMUX output	0.23	0.25	0.29	0.31	ns, Max
T _{CINC}	CIN input to CMUX output	0.23	0.26	0.30	0.33	ns, Max
T _{CIND}	CIN input to DMUX output	0.25	0.29	0.33	0.36	ns, Max
Sequential Delays						
T _{CKO}	Clock to AQ – DQ outputs	0.29	0.33	0.39	0.44	ns, Max
T _{SHCKO}	Clock to AMUX – DMUX outputs	0.36	0.40	0.47	0.53	ns, Max
Setup and Hold Times of CLB Flip-Flops Before/After Clock CLK						
T _{DICK} /T _{CKDI}	A – D input to CLK on A – D Flip Flops	0.30/0.17	0.36/0.18	0.43/0.20	0.44/0.25	ns, Min
T _{CECK_CLB} / T _{CKCE_CLB}	CE input to CLK on A – D Flip Flops	0.20/0.00	0.25/0.00	0.32/0.00	0.32/0.01	ns, Min
T _{SRCK} /T _{CKSR}	SR input to CLK on A – D Flip Flops	0.39/–0.07	0.44/–0.07	0.52/–0.07	0.58/–0.08	ns, Min
T _{CINCK} /T _{CKCIN}	CIN input to CLK on A – D Flip Flops	0.16/0.12	0.19/0.14	0.24/0.16	0.23/0.22	ns, Min
Set/Reset						
T _{SRMIN}	SR input minimum pulse width	0.90	0.90	0.97	0.80	ns, Min
T _{RQ}	Delay from SR input to AQ – DQ flip-flops	0.52	0.58	0.68	0.77	ns, Max
T _{CEO}	Delay from CE input to AQ – DQ flip-flops	0.41	0.48	0.59	0.61	ns, Max
F _{TOG}	Toggle frequency (for export control)	1412.00	1286.40	1098.00	1098.00	MHz

Notes:

1. A Zero "0" Hold Time listing indicates no hold time or a negative hold time. Negative values can not be guaranteed "best-case", but if a "0" is listed, there is no positive hold time.
2. These items are of interest for Carry Chain applications.

CLB Distributed RAM Switching Characteristics (SLICEM Only)

Table 55: CLB Distributed RAM Switching Characteristics

Symbol	Description	Speed Grade				Units
		-3	-2	-1	-1L	
Sequential Delays						
T_{SHCKO}	Clock to A – B outputs	0.92	1.10	1.36	1.49	ns, Max
T_{SHCKO_1}	Clock to AMUX – BMUX outputs	1.19	1.40	1.71	1.87	ns, Max
Setup and Hold Times Before/After Clock CLK						
T_{DS}/T_{DH}	A – D inputs to CLK	0.62/0.18	0.72/0.20	0.88/0.22	0.98/0.23	ns, Min
T_{AS}/T_{AH}	Address An inputs to clock	0.19/0.52	0.22/0.59	0.27/0.66	0.30/0.75	ns, Min
T_{WS}/T_{WH}	WE input to clock	0.27/0.00	0.32/0.00	0.40/0.00	0.47/–0.03	ns, Min
T_{CECK}/T_{CKCE}	CE input to CLK	0.28/–0.01	0.34/–0.01	0.41/–0.01	0.48/–0.05	ns, Min
Clock CLK						
T_{MPW}	Minimum pulse width	0.70	0.82	1.00	1.04	ns, Min
T_{MCP}	Minimum clock period	1.40	1.64	2.00	2.08	ns, Min

Notes:

1. A Zero “0” Hold Time listing indicates no hold time or a negative hold time. Negative values cannot be guaranteed “best-case”, but if a “0” is listed, there is no positive hold time.
2. T_{SHCKO} also represents the CLK to XMUX output. Refer to TRACE report for the CLK to XMUX path.

CLB Shift Register Switching Characteristics (SLICEM Only)

Table 56: CLB Shift Register Switching Characteristics

Symbol	Description	Speed Grade				Units
		-3	-2	-1	-1L	
Sequential Delays						
T_{REG}	Clock to A – D outputs	1.11	1.30	1.58	1.74	ns, Max
T_{REG_MUX}	Clock to AMUX – DMUX output	1.37	1.60	1.93	2.12	ns, Max
T_{REG_M31}	Clock to DMUX output via M31 output	1.08	1.27	1.55	1.74	ns, Max
Setup and Hold Times Before/After Clock CLK						
T_{WS}/T_{WH}	WE input	0.05/0.00	0.07/0.00	0.09/0.00	0.11/0.03	ns, Min
T_{CECK}/T_{CKCE}	CE input to CLK	0.06/–0.01	0.08/–0.01	0.10/–0.01	0.12/0.02	ns, Min
T_{DS}/T_{DH}	A – D inputs to CLK	0.64/0.18	0.76/0.21	0.94/0.24	1.07/0.23	ns, Min
Clock CLK						
T_{MPW}	Minimum pulse width	0.60	0.70	0.85	0.89	ns, Min

Notes:

1. A Zero “0” Hold Time listing indicates no hold time or a negative hold time. Negative values cannot be guaranteed “best-case”, but if a “0” is listed, there is no positive hold time.

Block RAM and FIFO Switching Characteristics

Table 57: Block RAM and FIFO Switching Characteristics

Symbol	Description	Speed Grade				Units
		-3	-2	-1	-1L	
Block RAM and FIFO Clock-to-Out Delays						
T_{RCKO_DO} and $T_{RCKO_DO_REG}$ ⁽¹⁾	Clock CLK to DOUT output (without output register) ⁽²⁾⁽³⁾	1.60	1.79	2.08	2.36	ns, Max
	Clock CLK to DOUT output (with output register) ⁽⁴⁾⁽⁵⁾	0.60	0.66	0.75	0.83	ns, Max
$T_{RCKO_DO_ECC}$ and $T_{RCKO_DO_ECC_REG}$	Clock CLK to DOUT output with ECC (without output register) ⁽²⁾⁽³⁾	2.62	2.89	3.30	3.73	ns, Max
	Clock CLK to DOUT output with ECC (with output register) ⁽⁴⁾⁽⁵⁾	0.71	0.77	0.86	0.94	ns, Max
T_{RCKO_CASC} and $T_{RCKO_CASC_REG}$	Clock CLK to DOUT output with Cascade (without output register) ⁽²⁾	2.49	2.77	3.18	3.61	ns, Max
	Clock CLK to DOUT output with Cascade (with output register) ⁽⁴⁾	1.29	1.41	1.58	1.79	ns, Max
T_{RCKO_FLAGS}	Clock CLK to FIFO flags outputs ⁽⁶⁾	0.74	0.81	0.91	0.98	ns, Max
$T_{RCKO_POINTERS}$	Clock CLK to FIFO pointers outputs ⁽⁷⁾	0.90	0.98	1.09	1.21	ns, Max
$T_{RCKO_SDBIT_ECC}$ and $T_{RCKO_SDBIT_ECC_REG}$	Clock CLK to BITERR (with output register)	0.62	0.68	0.76	0.82	ns, Max
	Clock CLK to BITERR (without output register)	2.21	2.46	2.84	3.23	ns, Max
$T_{RCKO_PARITY_ECC}$	Clock CLK to ECCPARITY in ECC encode only mode	0.86	0.94	1.06	1.18	ns, Max
$T_{RCKO_RDADDR_ECC}$ and $T_{RCKO_RDADDR_ECC_REG}$	Clock CLK to RDADDR output with ECC (without output register)	0.73	0.79	0.90	1.00	ns, Max
	Clock CLK to RDADDR output with ECC (with output register)	0.76	0.82	0.92	1.02	ns, Max
Setup and Hold Times Before/After Clock CLK						
$T_{RCKK_ADDR}/T_{RCKC_ADDR}$	ADDR inputs ⁽⁸⁾	0.47/ 0.27	0.53/ 0.29	0.62/ 0.32	0.66/ 0.34	ns, Min
T_{RDCK_DI}/T_{RCKD_DI}	DIN inputs ⁽⁹⁾	0.84/ 0.30	0.95/ 0.32	1.11/ 0.34	1.26/ 0.36	ns, Min
$T_{RDCK_DI_ECC}/T_{RCKD_DI_ECC}$	DIN inputs with block RAM ECC in standard mode ⁽⁹⁾	0.47/ 0.30	0.52/ 0.32	0.59/ 0.34	0.68/ 0.36	ns, Min
	DIN inputs with block RAM ECC encode only ⁽⁹⁾	0.68/ 0.30	0.75/ 0.32	0.85/ 0.34	0.97/ 0.36	ns, Min
	DIN inputs with FIFO ECC in standard mode ⁽⁹⁾	0.77/ 0.30	0.87/ 0.32	1.02/ 0.34	1.16/ 0.36	ns, Min
$T_{RCKK_CLK}/T_{RCKC_CLK}$	Inject single/double bit error in ECC mode	0.90/ 0.27	1.02/ 0.28	1.20/ 0.29	1.56/ 0.29	ns, Min
$T_{RCKK_RDEN}/T_{RCKC_RDEN}$	Block RAM Enable (EN) input	0.31/ 0.26	0.35/ 0.27	0.41/ 0.30	0.44/ 0.31	ns, Min
$T_{RCKK_REGCE}/T_{RCKC_REGCE}$	CE input of output register	0.18/ 0.25	0.19/ 0.27	0.22/ 0.31	0.24/ 0.33	ns, Min
$T_{RCKK_RSTREG}/T_{RCKC_RSTREG}$	Synchronous RSTREG input	0.22/ 0.23	0.24/ 0.24	0.28/ 0.26	0.31/ 0.27	ns, Min
$T_{RCKK_RSTRAM}/T_{RCKC_RSTRAM}$	Synchronous RSTRAM input	0.32/ 0.23	0.36/ 0.24	0.41/ 0.27	0.46/ 0.29	ns, Min

Table 57: Block RAM and FIFO Switching Characteristics (Cont'd)

Symbol	Description	Speed Grade				Units
		-3	-2	-1	-1L	
T_{RCKK_WE}/T_{RCKC_WE}	Write Enable (WE) input (Block RAM only)	0.44/ 0.19	0.47/ 0.25	0.52/ 0.35	0.67/ 0.24	ns, Min
$T_{RCKK_WREN}/T_{RCKC_WREN}$	WREN FIFO inputs	0.47/ 0.26	0.50/ 0.27	0.55/ 0.30	0.68/ 0.31	ns, Min
$T_{RCKK_RDEN}/T_{RCKC_RDEN}$	RDEN FIFO inputs	0.46/ 0.26	0.50/ 0.27	0.55/ 0.30	0.67/ 0.31	ns, Min
Reset Delays						
T_{RCO_FLAGS}	Reset RST to FIFO Flags/Pointers ⁽¹⁰⁾	0.90	0.98	1.10	1.23	ns, Max
$T_{RCKK_RSTREG}/T_{RCKC_RSTREG}$	FIFO reset timing ⁽¹¹⁾	0.22/ 0.23	0.24/ 0.24	0.28/ 0.26	0.31/ 0.27	ns, Min
Maximum Frequency						
F_{MAX}	Block RAM in TDP and SDP modes (Write First and No Change modes)	600	540	450	340	MHz
	Block RAM (Read First mode)	525	475	400	275	MHz
	Block RAM (SDP mode) ⁽¹²⁾	525	475	400	275	MHz
$F_{MAX_CASCADE}$	Block RAM Cascade (Write First and No Change modes)	550	490	400	300	MHz
	Block RAM Cascade (Read First mode)	475	425	350	235	MHz
F_{MAX_FIFO}	FIFO in all modes	600	540	450	340	MHz
F_{MAX_ECC}	Block RAM and FIFO in ECC configuration	450	400	325	250	MHz

Notes:

- TRACE will report all of these parameters as T_{RCKO_DO} .
- T_{RCKO_DOR} includes T_{RCKO_DOW} , T_{RCKO_DOPR} , and T_{RCKO_DOPW} as well as the B port equivalent timing parameters.
- These parameters also apply to synchronous FIFO with $DO_REG = 0$.
- T_{RCKO_DO} includes T_{RCKO_DOP} as well as the B port equivalent timing parameters.
- These parameters also apply to multirate (asynchronous) and synchronous FIFO with $DO_REG = 1$.
- T_{RCKO_FLAGS} includes the following parameters: T_{RCKO_AEMPTY} , T_{RCKO_AFULL} , T_{RCKO_EMPTY} , T_{RCKO_FULL} , T_{RCKO_RDERR} , T_{RCKO_WRERR} .
- $T_{RCKO_POINTERS}$ includes both $T_{RCKO_RDCOUNT}$ and $T_{RCKO_WRCOUNT}$.
- The ADDR setup and hold must be met when EN is asserted (even when WE is deasserted). Otherwise, block RAM data corruption is possible.
- T_{RCKO_DI} includes both A and B inputs as well as the parity inputs of A and B.
- T_{RCO_FLAGS} includes the following flags: AEMPTY, AFULL, EMPTY, FULL, RDERR, WRERR, RDCOUNT, and WRCOUNT.
- The FIFO reset must be asserted for at least three positive clock edges.
- When using ISE software v12.4 or later, if the RDADDR_COLLISION_HWCONFIG attribute is set to PERFORMANCE or the block RAM is in single-port operation, then the faster F_{MAX} for WRITE_FIRST/NO_CHANGE modes apply.

DSP48E1 Switching Characteristics

Table 58: DSP48E1 Switching Characteristics

Symbol	Description	Speed Grade					Units
		-3	-2	-1 (XC)	-1 (XQ)	-1L	
Setup and Hold Times of Data/Control Pins to the Input Register Clock							
$T_{D\text{SPDCK}}\{A, ACIN; B, BCIN\}_{A\text{REG}; B\text{REG}}/$ $T_{D\text{SPCKD}}\{A, ACIN; B, BCIN\}_{A\text{REG}; B\text{REG}}$	{A, ACIN, B, BCIN} input to {A, B} register CLK	0.25/ 0.27	0.29/ 0.30	0.35/ 0.34	0.36/ 0.34	0.46/ 0.39	ns
$T_{D\text{SPDCK}}\text{C_CREG}/T_{D\text{SPCKD}}\text{C_CREG}$	C input to C register CLK	0.16/ 0.20	0.19/ 0.22	0.22/ 0.24	0.25/ 0.24	0.33/ 0.30	ns
$T_{D\text{SPDCK}}\text{D_DREG}/T_{D\text{SPCKD}}\text{D_DREG}$	D input to D register CLK	0.07/ 0.31	0.10/ 0.34	0.15/ 0.39	0.16/ 0.39	0.24/ 0.45	ns
Setup and Hold Times of Data Pins to the Pipeline Register Clock							
$T_{D\text{SPDCK}}\{A, ACIN, B, BCIN\}\text{MREG_MULT}/$ $T_{D\text{SPCKD}}\{A, ACIN, B, BCIN\}\text{MREG_MULT}$	{A, ACIN, B, BCIN} input to M register CLK	2.36/ 0.04	2.70/ 0.04	3.21/ 0.04	3.21/ 0.04	3.66/ 0.02	ns
$T_{D\text{SPDCK}}\{A, D\}\text{ADREG}/$ $T_{D\text{SPCKD}}\{A, D\}\text{ADREG}$	{A, D} input to AD register CLK	1.24/ 0.10	1.42/ 0.12	1.69/ 0.13	1.69/ 0.13	1.91/ 0.16	ns
Setup and Hold Times of Data/Control Pins to the Output Register Clock							
$T_{D\text{SPDCK}}\{A, ACIN, B, BCIN\}\text{PREG_MULT}/$ $T_{D\text{SPCKD}}\{A, ACIN, B, BCIN\}\text{PREG_MULT}$	{A, ACIN, B, BCIN} input to P register CLK using multiplier	3.83/ -0.13	4.37/ -0.13	5.20/ -0.13	5.20/ -0.13	5.94/ -0.24	ns
$T_{D\text{SPDCK}}\text{D_PREG_MULT}/T_{D\text{SPCKD}}\text{D_PREG_MULT}$	D input to P register CLK	3.62/ -0.47	4.13/ -0.47	4.90/ -0.47	4.90/ -0.47	5.61/ -0.77	ns
$T_{D\text{SPDCK}}\{A, ACIN, B, BCIN\}\text{PREG}/$ $T_{D\text{SPCKD}}\{A, ACIN, B, BCIN\}\text{PREG}$	{A, ACIN, B, BCIN} input to P register CLK not using multiplier	1.59/ -0.13	1.81/ -0.13	2.15/ -0.13	2.15/ -0.13	2.44/ -0.24	ns
$T_{D\text{SPDCK}}\text{C_PREG}/T_{D\text{SPCKD}}\text{C_PREG}$	C input to P register CLK	1.42/ -0.10	1.61/ -0.10	1.91/ -0.10	1.91/ -0.10	2.16/ -0.19	ns
$T_{D\text{SPDCK}}\{\text{PCIN, CARRYCASCIN, MULTSIGNIN}\}\text{PREG}/$ $T_{D\text{SPCKD}}\{\text{PCIN, CARRYCASCIN, MULTSIGNIN}\}\text{PREG}$	{PCIN, CARRYCASCIN, MULTSIGNIN} input to P register CLK	1.23/ -0.02	1.41/ -0.02	1.67/ -0.02	1.67/ -0.02	1.91/ -0.07	ns
Setup and Hold Times of the CE Pins							
$T_{D\text{SPDCK}}\{\text{CEA; CEB}\}_{A\text{REG}; B\text{REG}}/$ $T_{D\text{SPCKD}}\{\text{CEA; CEB}\}_{A\text{REG}; B\text{REG}}$	{CEA; CEB} input to {A; B} register CLK	0.14/ 0.19	0.17/ 0.22	0.22/ 0.25	0.22/ 0.25	0.30/ 0.28	ns
$T_{D\text{SPDCK}}\text{CEC_CREG}/T_{D\text{SPCKD}}\text{CEC_CREG}$	CEC input to C register CLK	0.15/ 0.18	0.18/ 0.20	0.24/ 0.23	0.24/ 0.23	0.31/ 0.26	ns
$T_{D\text{SPDCK}}\text{CED_DREG}/T_{D\text{SPCKD}}\text{CED_DREG}$	CED input to D register CLK	0.20/ 0.12	0.24/ 0.13	0.31/ 0.14	0.31/ 0.14	0.43/ 0.16	ns
$T_{D\text{SPDCK}}\text{CEM_MREG}/T_{D\text{SPCKD}}\text{CEM_MREG}$	CEM input to M register CLK	0.16/ 0.19	0.20/ 0.21	0.26/ 0.25	0.26/ 0.25	0.32/ 0.28	ns
$T_{D\text{SPDCK}}\text{CEP_PREG}/T_{D\text{SPCKD}}\text{CEP_PREG}$	CEP input to P register CLK	0.32/ 0.02	0.38/ 0.02	0.46/ 0.03	0.46/ 0.03	0.54/ 0.04	ns
Setup and Hold Times of the RST Pins							
$T_{D\text{SPDCK}}\{\text{RSTA; RSTB}\}_{A\text{REG}; B\text{REG}}/$ $T_{D\text{SPCKD}}\{\text{RSTA; RSTB}\}_{A\text{REG}; B\text{REG}}$	{RSTA, RSTB} input to {A, B} register CLK	0.27/ 0.17	0.31/ 0.19	0.38/ 0.22	0.38/ 0.22	0.41/ 0.25	ns
$T_{D\text{SPDCK}}\text{RSTC_CREG}/T_{D\text{SPCKD}}\text{RSTC_CREG}$	RSTC input to C register CLK	0.18/ 0.08	0.20/ 0.08	0.23/ 0.09	0.23/ 0.09	0.27/ 0.11	ns
$T_{D\text{SPDCK}}\text{RSTD_DREG}/T_{D\text{SPCKD}}\text{RSTD_DREG}$	RSTD input to D register CLK	0.28/ 0.15	0.32/ 0.16	0.38/ 0.19	0.38/ 0.19	0.45/ 0.21	ns
$T_{D\text{SPDCK}}\text{RSTM_MREG}/T_{D\text{SPCKD}}\text{RSTM_MREG}$	RSTM input to M register CLK	0.20/ 0.24	0.23/ 0.26	0.26/ 0.30	0.26/ 0.30	0.29/ 0.34	ns

Table 58: DSP48E1 Switching Characteristics (Cont'd)

Symbol	Description	Speed Grade					Units
		-3	-2	-1 (XC)	-1 (XQ)	-1L	
$T_{DSPDCK_RSTP_PREG} / T_{DSPCKD_RSTP_PREG}$	RSTP input to P register CLK	0.26/ 0.04	0.30/ 0.04	0.35/ 0.05	0.35/ 0.05	0.43/ 0.06	ns
Combinatorial Delays from Input Pins to Output Pins							
$T_{DSPDO_A, B}_{P, CARRYOUT_MULT}$	{A, B} input to {P, CARRYOUT} output using multiplier	3.76	4.29	5.08	5.08	5.87	ns
$T_{DSPDO_D}_{P, CARRYOUT_MULT}$	D input to {P, CARRYOUT} output using multiplier	3.57	4.07	4.82	4.82	5.57	ns
$T_{DSPDO_A, B}_{P, CARRYOUT}$	{A, B} input to {P, CARRYOUT} output not using multiplier	1.55	1.76	2.07	2.07	2.41	ns
$T_{DSPDO_C, CARRYIN}_{P, CARRYOUT}$	{C, CARRYIN} input to {P, CARRYOUT} output	1.38	1.56	1.83	1.83	2.13	ns
Combinatorial Delays from Input Pins to Cascading Output Pins							
$T_{DSPDO_A, B}_{ACOUT, BCOUT}$	{A, B} input to {ACOUT, BCOUT} output	0.49	0.56	0.65	0.65	0.73	ns
$T_{DSPDO_A, B}_{PCOUT, CARRYCASCOUT, MULTSIGNOUT_MULT}$	{A, B} input to {PCOUT, CARRYCASCOUT, MULTSIGNOUT} output using multiplier	3.87	4.42	5.24	5.24	6.09	ns
$T_{DSPDO_D}_{PCOUT, CARRYCASCOUT, MULTSIGNOUT_MULT}$	D input to {PCOUT, CARRYCASCOUT, MULTSIGNOUT} output using multiplier	3.66	4.17	4.94	4.94	5.76	ns
$T_{DSPDO_A, B}_{PCOUT, CARRYCASCOUT, MULTSIGNOUT}$	{A, B} input to {PCOUT, CARRYCASCOUT, MULTSIGNOUT} output not using multiplier	1.64	1.86	2.19	2.19	2.60	ns
$T_{DSPDO_C, CARRYIN}_{PCOUT, CARRYCASCOUT, MULTSIGNOUT}$	{C, CARRYIN} input to {PCOUT, CARRYCASCOUT, MULTSIGNOUT} output	1.46	1.66	1.95	1.95	2.32	ns
Combinatorial Delays from Cascading Input Pins to All Output Pins							
$T_{DSPDO_ACIN, BCIN}_{P, CARRYOUT_MULT}$	{ACIN, BCIN} input to {P, CARRYOUT} output using multiplier	3.67	4.19	4.97	4.97	5.75	ns
$T_{DSPDO_ACIN, BCIN}_{P, CARRYOUT}$	{ACIN, BCIN} input to {P, CARRYOUT} output not using multiplier	1.43	1.63	1.92	1.92	2.25	ns
$T_{DSPDO_ACIN, BCIN}_{ACOUT, BCOUT}$	{ACIN, BCIN} input to {ACOUT, BCOUT} output	0.36	0.42	0.49	0.49	0.56	ns
$T_{DSPDO_ACIN, BCIN}_{PCOUT, CARRYCASCOUT, MULTSIGNOUT_MULT}$	{ACIN, BCIN} input to {PCOUT, CARRYCASCOUT, MULTSIGNOUT} output using multiplier	3.76	4.29	5.10	5.10	5.94	ns
$T_{DSPDO_ACIN, BCIN}_{PCOUT, CARRYCASCOUT, MULTSIGNOUT}$	{ACIN, BCIN} input to {PCOUT, CARRYCASCOUT, MULTSIGNOUT} output not using multiplier	1.52	1.73	2.05	2.05	2.44	ns
$T_{DSPDO_PCIN, CARRYCASCIN, MULTSIGNIN}_{P, CARRYOUT}$	{PCIN, CARRYCASCIN, MULTSIGNIN} input to {P, CARRYOUT} output	1.19	1.35	1.60	1.60	1.87	ns

Table 58: DSP48E1 Switching Characteristics (Cont'd)

Symbol	Description	Speed Grade					Units
		-3	-2	-1 (XC)	-1 (XQ)	-1L	
$T_{DSPDO_}\{PCIN, CARRYCASCIN, MULTSIGNIN\}_\{PCOUT, CARRYCASCOU, MULTSIGNOUT\}$	{PCIN, CARRYCASCIN, MULTSIGNIN} input to {PCOUT, CARRYCASCOU, MULTSIGNOUT} output	1.28	1.46	1.72	1.72	2.06	ns
Clock to Outs from Output Register Clock to Output Pins							
$T_{DSPCKO_}\{P, CARRYOUT\}_PREG$	CLK (PREG) to {P, CARRYOUT} output	0.38	0.43	0.50	0.50	0.57	ns
$T_{DSPCKO_}\{PCOUT, CARRYCASCOU, MULTSIGNOUT\}_PREG$	CLK (PREG) to {CARRYCASCOU, PCOUT, MULTSIGNOUT} output	0.50	0.56	0.66	0.66	0.76	ns
Clock to Outs from Pipeline Register Clock to Output Pins							
$T_{DSPCKO_}\{P, CARRYOUT\}_MREG$	CLK (MREG) to {P, CARRYOUT} output	1.72	1.96	2.30	2.30	2.69	ns
$T_{DSPCKO_}\{PCOUT, CARRYCASCOU, MULTSIGNOUT\}_MREG$	CLK (MREG) to {PCOUT, CARRYCASCOU, MULTSIGNOUT} output	1.81	2.06	2.43	2.43	2.88	ns
$T_{DSPCKO_}\{P, CARRYOUT\}_ADREG_MULT$	CLK (ADREG) to {P, CARRYOUT} output	2.79	3.16	3.72	3.72	4.32	ns
$T_{DSPCKO_}\{PCOUT, CARRYCASCOU, MULTSIGNOUT\}_ADREG_MULT$	CLK (ADREG) to {PCOUT, CARRYCASCOU, MULTSIGNOUT} output	2.87	3.26	3.84	3.84	4.51	ns
Clock to Outs from Input Register Clock to Output Pins							
$T_{DSPCKO_}\{P, CARRYOUT\}_\{AREG, BREG\}_MULT$	CLK (AREG, BREG) to {P, CARRYOUT} output using multiplier	3.97	4.52	5.36	5.36	6.20	ns
$T_{DSPCKO_}\{P, CARRYOUT\}_\{AREG, BREG\}$	CLK (AREG, BREG) to {P, CARRYOUT} output not using multiplier	1.70	1.93	2.27	2.27	2.65	ns
$T_{DSPCKO_}\{P, CARRYOUT\}_CREG$	CLK (CREG) to {P, CARRYOUT} output	1.70	1.93	2.27	2.27	2.80	ns
$T_{DSPCKO_}\{P, CARRYOUT\}_DREG_MULT$	CLK (DREG) to {P, CARRYOUT} output	3.89	4.44	5.25	5.25	6.07	ns
Clock to Outs from Input Register Clock to Cascading Output Pins							
$T_{DSPCKO_}\{ACOUT; BCOUT\}_\{AREG; BREG\}$	CLK (AREG, BREG) to {P, CARRYOUT} output	0.66	0.76	0.89	0.89	1.01	ns
$T_{DSPCKO_}\{PCOUT, CARRYCASCOU, MULTSIGNOUT\}_\{AREG, BREG\}_MULT$	CLK (AREG, BREG) to {PCOUT, CARRYCASCOU, MULTSIGNOUT} output using multiplier	4.05	4.63	5.49	5.49	6.39	ns
$T_{DSPCKO_}\{PCOUT, CARRYCASCOU, MULTSIGNOUT\}_\{AREG, BREG\}$	CLK (AREG, BREG) to {PCOUT, CARRYCASCOU, MULTSIGNOUT} output not using multiplier	1.79	2.03	2.40	2.40	2.84	ns
$T_{DSPCKO_}\{PCOUT, CARRYCASCOU, MULTSIGNOUT\}_DREG_MULT$	CLK (DREG) to {PCOUT, CARRYCASCOU, MULTSIGNOUT} output using multiplier	3.98	4.54	5.38	5.38	6.26	ns
$T_{DSPCKO_}\{PCOUT, CARRYCASCOU, MULTSIGNOUT\}_CREG$	CLK (CREG) to {PCOUT, CARRYCASCOU, MULTSIGNOUT} output	1.78	2.03	2.40	2.40	2.99	ns

Table 58: DSP48E1 Switching Characteristics (Cont'd)

Symbol	Description	Speed Grade					Units
		-3	-2	-1 (XC)	-1 (XQ)	-1L	
Maximum Frequency							
F _{MAX}	With all registers used	600	540	450	450	410	MHz
F _{MAX_PATDET}	With pattern detector	551	483	408	408	356	MHz
F _{MAX_MULT_NOMREG}	Two register multiply without MREG	356	311	262	262	224	MHz
F _{MAX_MULT_NOMREG_PATDET}	Two register multiply without MREG with pattern detect	327	286	241	241	211	MHz
F _{MAX_PREADD_MULT_NOADREG}	Without ADREG	398	347	292	292	254	MHz
F _{MAX_PREADD_MULT_NOADREG_PATDET}	Without ADREG with pattern detect	398	347	292	292	254	MHz
F _{MAX_NOPIPELINEREG}	Without pipeline registers (MREG, ADREG)	266	233	196	196	171	MHz
F _{MAX_NOPIPELINEREG_PATDET}	Without pipeline registers (MREG, ADREG) with pattern detect	250	219	184	184	160	MHz

Configuration Switching Characteristics

Table 59: Configuration Switching Characteristics

Symbol	Description	Speed Grade				Units
		-3	-2	-1	-1L	
Power-up Timing Characteristics						
T _{PL} ⁽¹⁾	Program Latency	5	5	5	5	ms, Max
T _{POR} ⁽¹⁾	Power-on-Reset	15/55	15/55	15/55	15/60	ms, Min/Max
T _{ICCK}	CCLK (output) delay	400	400	400	400	ns, Min
T _{PROGRAM}	Program Pulse Width	250	250	250	250	ns, Min
Master/Slave Serial Mode Programming Switching						
T _{DCCK} /T _{CCKD}	DIN Setup/Hold, slave mode	4.0/0.0	4.0/0.0	4.0/0.0	4.5/0.0	ns, Min
T _{DSCK} /T _{SCCKD}	DIN Setup/Hold, master mode	4.0/0.0	4.0/0.0	4.0/0.0	5.0/0.0	ns, Min
T _{CCO}	DOU at 2.5V	6	6	6	7	ns, Max
	DOU at 1.8V	6	6	6	7	ns, Max
F _{MCCK}	Maximum CCLK frequency, serial modes	105	105	105	70	MHz, Max
F _{MCKTOL}	Frequency Tolerance, master mode with respect to nominal CCLK.	55	55	55	60	%
F _{MSCCK}	Slave mode external CCLK	100	100	100	100	MHz
SelectMAP Mode Programming Switching						
T _{SMDCCK} /T _{SMCCKD}	SelectMAP Data Setup/Hold	4.0/0.0	4.0/0.0	4.0/0.0	5.5/0.0	ns, Min
T _{SMCSCCK} /T _{SMCCKCS}	CSI_B Setup/Hold	4.0/0.0	4.0/0.0	4.0/0.0	5.5/0.0	ns, Min
T _{SMCCKW} /T _{SMWCK}	RDWR_B Setup/Hold	10.0/0.0	10.0/0.0	10.0/0.0	16.0/0.0	ns, Min
T _{SMCKCSO}	CSO_B clock to out (330 Ω pull-up resistor required)	6	6	6	7	ns, Max
T _{SMCO}	CCLK to DATA out in readback at 2.5V	6	6	6	7	ns, Max
	CCLK to DATA out in readback at 1.8V	6	6	6	7	ns, Max

Table 59: Configuration Switching Characteristics (Cont'd)

Symbol	Description	Speed Grade				Units
		-3	-2	-1	-1L	
T _{SMCKBY}	CCLK to BUSY out in readback at 2.5V	6	6	6	7	ns, Max
	CCLK to BUSY out in readback at 1.8V	6	6	6	7	ns, Max
F _{SMCK}	Maximum Frequency with respect to nominal CCLK	100	100	100	70	MHz, Max
F _{RBCK}	Maximum Readback Frequency with respect to nominal CCLK	100	100	100	60	MHz, Max
F _{MCCKTOL}	Frequency tolerance, master mode with respect to nominal CCLK	55	55	55	60	%
Boundary-Scan Port Timing Specifications						
T _{TAPTCK} /T _{TCKTAP}	TMS and TDI Setup time before TCK/ Hold time after TCK	3.0/2.0	3.0/2.0	3.0/2.0	4.0/2.0	ns, Min
T _{TCKTDO}	TCK falling edge to TDO output valid at 2.5V	6	6	6	7	ns, Max
	TCK falling edge to TDO output valid at 1.8V	6	6	6	7	ns, Max
F _{TCK}	Maximum configuration TCK clock frequency	66	66	66	33	MHz, Max
F _{TCKB_MIN}	Minimum boundary-scan TCK clock frequency when using IEEE Std 1149.6 (AC-JTAG). Minimum operating temperature for IEEE Std 1149.6 is 0°C.	15	15	15	15	MHz, Min
F _{TCKB}	Maximum boundary-scan TCK clock frequency	66	66	66	33	MHz, Max
BPI Master Flash Mode Programming Switching						
T _{BPICCO} ⁽²⁾	ADDR[25:0], RS[1:0], FCS_B, FOE_B, FWE_B outputs valid after CCLK rising edge at 2.5V	6	6	6	7	ns
	ADDR[25:0], RS[1:0], FCS_B, FOE_B, FWE_B outputs valid after CCLK rising edge at 1.8V	6	6	6	7	ns
T _{BPIDCC} /T _{BPICCD}	Setup/Hold on D[15:0] data input pins	4.0/0.0	4.0/0.0	4.0/0.0	5.0/0.0	ns
T _{INITADDR}	Minimum period of initial ADDR[25:0] address cycles	3	3	3	3	CCLK cycles
SPI Master Flash Mode Programming Switching						
T _{SPIDCC} /T _{SPIDCCD}	DIN Setup/Hold before/after the rising CCLK edge	3.0/0.0	3.0/0.0	3.0/0.0	3.5/0.0	ns
T _{SPICCM}	MOSI clock to out at 2.5V	6	6	6	7	ns
	MOSI clock to out at 1.8V	6	6	6	7	ns
T _{SPICFC}	FCS_B clock to out at 2.5V	6	6	6	7	ns
	FCS_B clock to out at 1.8V	6	6	6	7	ns
T _{FSINIT} /T _{FSINITH}	FS[2:0] to INIT_B rising edge Setup and Hold	2	2	2	2	µs
CCLK Output (Master Modes)						
T _{MCCKL}	Master CCLK clock Low time duty cycle	45/55	45/55	45/55	40/60	%, Min/Max
T _{MCCKH}	Master CCLK clock High time duty cycle	45/55	45/55	45/55	40/60	%, Min/Max
CCLK Input (Slave Modes)						
T _{SCCKL}	Slave CCLK clock minimum Low time	2.5	2.5	2.5	2.5	ns, Min
T _{SCCKH}	Slave CCLK clock minimum High time	2.5	2.5	2.5	2.5	ns, Min
Dynamic Reconfiguration Port (DRP) for MMCM Before and After DCLK						
F _{DCK}	Maximum frequency for DCLK	200	200	200	200	MHz
T _{MMCMDCK_DADDR} / T _{MMCMCKD_DADDR}	DADDR Setup/Hold	1.25/ 0.00	1.40/ 0.00	1.63/ 0.00	1.64/ 0.00	ns

Table 59: Configuration Switching Characteristics (Cont'd)

Symbol	Description	Speed Grade				Units
		-3	-2	-1	-1L	
$T_{MMCMCKD_DI}/T_{MMCMCKD_DI}$	DI Setup/Hold	1.25/ 0.00	1.40/ 0.00	1.63/ 0.00	1.64/ 0.00	ns
$T_{MMCMCKD_DEN}/T_{MMCMCKD_DEN}$	DEN Setup/Hold time	1.25/ 0.00	1.40/ 0.00	1.63/ 0.00	1.64/ 0.00	ns
$T_{MMCMCKD_DWE}/T_{MMCMCKD_DWE}$	DWE Setup/Hold time	1.25/ 0.00	1.40/ 0.00	1.63/ 0.00	1.64/ 0.00	ns
$T_{MMCMCKO_DO}$	CLK to out of DO ⁽³⁾	2.60	3.02	3.64	3.68	ns
$T_{MMCMCKO_DRDY}$	CLK to out of DRDY	0.32	0.34	0.38	0.38	ns

Notes:

1. To support longer delays in configuration, use the design solutions described in [UG360: Virtex-6 FPGA Configuration User Guide](#).
2. Only during configuration, the last edge is determined by a weak pull-up/pull-down resistor in the I/O.
3. DO will hold until next DRP operation.

Clock Buffers and Networks

Table 60: Global Clock Switching Characteristics (Including BUFCTRL)

Symbol	Description	Devices	Speed Grade				Units
			-3	-2	-1	-1L	
$T_{BCCCK_CE}/T_{BCCCK_CE}^{(1)}$	CE pins Setup/Hold	All	0.11/ 0.00	0.13/ 0.00	0.16/ 0.00	0.13/ 0.00	ns
$T_{BCCCK_S}/T_{BCCCK_S}^{(1)}$	S pins Setup/Hold	All	0.11/ 0.00	0.13/ 0.00	0.16/ 0.00	0.13/ 0.00	ns
$T_{BCKO_O}^{(2)}$	BUFCTRL delay from I0/I1 to O	All	0.07	0.08	0.10	0.10	ns
Maximum Frequency							
F_{MAX}	Global clock tree (BUFCTRL)	All except LX760	800	750	700	667	MHz
		LX760	N/A	700	700	667	MHz

Notes:

1. T_{BCCCK_CE} and T_{BCCCK_S} must be satisfied to assure glitch-free operation of the global clock when switching between clocks. These parameters do not apply to the BUFCTRL_VIRTEX4 primitive that assures glitch-free operation. The other global clock setup and hold times are optional; only needing to be satisfied if device operation requires simulation matches on a cycle-for-cycle basis when switching between clocks.
2. T_{BCKO_O} (BUFCTRL delay from I0 to O) values are the same as T_{BCKO_O} values.

Table 61: Input/Output Clock Switching Characteristics (BUFIO)

Symbol	Description	Speed Grade				Units
		-3	-2	-1	-1L	
T_{BIOCKO_O}	Clock to out delay from I to O	0.14	0.16	0.18	0.21	ns
Maximum Frequency						
F_{MAX}	I/O clock tree (BUFIO)	800	800	710	710	MHz

Table 62: Regional Clock Switching Characteristics (BUFR)

Symbol	Description	Speed Grade				Units
		-3	-2	-1	-1L	
T_{BRCKO_O}	Clock to out delay from I to O	0.56	0.62	0.73	0.82	ns
$T_{BRCKO_O_BYP}$	Clock to out delay from I to O with Divide Bypass attribute set	0.28	0.31	0.36	0.41	ns

Table 62: Regional Clock Switching Characteristics (BUFR) (Cont'd)

Symbol	Description	Speed Grade				Units
		-3	-2	-1	-1L	
T _{BRDO_O}	Propagation delay from CLR to O	0.69	0.74	0.80	1.12	ns
Maximum Frequency						
F _{MAX} ⁽¹⁾	Regional clock tree (BUFR)	500	420	300	300	MHz

Notes:

1. The maximum input frequency to the BUFR is the BUFIO F_{MAX} frequency.

Table 63: Horizontal Clock Buffer Switching Characteristics (BUFH)

Symbol	Description	Speed Grade				Units
		-3	-2	-1	-1L	
T _{BHCKO_O}	BUFH delay from I to O	0.10	0.11	0.13	0.15	ns
T _{BHCK_CE} /T _{BHCKC_CE}	CE pin Setup and Hold	0.04/ 0.04	0.04/ 0.04	0.05/ 0.05	0.04/ 0.04	ns
Maximum Frequency						
F _{MAX}	Horizontal clock buffer (BUFH)	800	750	700	667	MHz

MMCM Switching Characteristics

Table 64: MMCM Specification

Symbol	Description	Speed Grade				Units
		-3	-2	-1	-1L	
F _{INMAX}	Maximum Input Clock Frequency ⁽¹⁾	800	750	700	700	MHz
F _{INMIN}	Minimum Input Clock Frequency	10	10	10	10	MHz
F _{INJITTER}	Maximum Input Clock Period Jitter	< 20% of clock input period or 1 ns Max				
F _{INDUTY} ⁽²⁾	Allowable Input Duty Cycle: 10—49 MHz	25/75				%
	Allowable Input Duty Cycle: 50—199 MHz	30/70				%
	Allowable Input Duty Cycle: 200—399 MHz	35/65				%
	Allowable Input Duty Cycle: 400—499 MHz	40/60				%
	Allowable Input Duty Cycle: >500 MHz	45/55				%
F _{MIN_PSCLK}	Minimum Dynamic Phase Shift Clock Frequency	0.01	0.01	0.01	0.01	MHz
F _{MAX_PSCLK}	Maximum Dynamic Phase Shift Clock Frequency	550	500	450	450	MHz
F _{VCOMIN}	Minimum MMCM VCO Frequency	600	600	600	600	MHz
F _{VCOMAX}	Maximum MMCM VCO Frequency	1600	1440	1200	1200	MHz
F _{BANDWIDTH}	Low MMCM Bandwidth at Typical ⁽³⁾	1.00	1.00	1.00	1.00	MHz
	High MMCM Bandwidth at Typical ⁽³⁾	4.00	4.00	4.00	4.00	MHz
T _{STATPHAOFFSET}	Static Phase Offset of the MMCM Outputs ⁽⁴⁾	0.12	0.12	0.12	0.12	ns
T _{OUTJITTER}	MMCM Output Jitter ⁽⁵⁾	Note 3				
T _{OUTDUTY}	MMCM Output Clock Duty Cycle Precision ⁽⁶⁾	0.15	0.20	0.20	0.20	ns
T _{LOCKMAX}	MMCM Maximum Lock Time	100	100	100	100	µs
F _{OUTMAX}	MMCM Maximum Output Frequency	800	750	700	700	MHz
F _{OUTMIN}	MMCM Minimum Output Frequency ⁽⁷⁾⁽⁸⁾	4.69	4.69	4.69	4.69	MHz
T _{EXTFDVAR}	External Clock Feedback Variation	< 20% of clock input period or 1 ns Max				

Table 64: MMCM Specification (Cont'd)

Symbol	Description	Speed Grade				Units
		-3	-2	-1	-1L	
$RST_{MINPULSE}$	Minimum Reset Pulse Width	1.5	1.5	1.5	1.5	ns
F_{PFDMAX}	Maximum Frequency at the Phase Frequency Detector with Bandwidth Set to High or Optimized ⁽⁹⁾	550	500	450	450	MHz
	Maximum Frequency at the Phase Frequency Detector with Bandwidth Set to Low	300	300	300	300	MHz
F_{PFDMIN}	Minimum Frequency at the Phase Frequency Detector with Bandwidth Set to High or Optimized	135	135	135	135	MHz
	Minimum Frequency at the Phase Frequency Detector with Bandwidth Set to Low	10	10	10	10	MHz
$T_{FBDELAY}$	Maximum Delay in the Feedback Path	3 ns Max or one CLKIN cycle				
$T_{MMCM DCK_PSEN}/$ $T_{MMCMCKD_PSEN}$	Setup and Hold of Phase Shift Enable	1.04 0.00	1.04 0.00	1.04 0.00	1.04 0.00	ns
$T_{MMCM DCK_PSINCDEC}/$ $T_{MMCMCKD_PSINCDEC}$	Setup and Hold of Phase Shift Increment/Decrement	1.04 0.00	1.04 0.00	1.04 0.00	1.04 0.00	ns
$T_{MMCMCKO_PSDONE}$	Phase Shift Clock-to-Out of PSDONE	0.32	0.34	0.38	0.38	ns

Notes:

- When $DIVCLK_DIVIDE = 3$ or 4 , F_{INMAX} is 315 MHz.
- This duty cycle specification does not apply to the GTH_QUAD (GTH) to MMCM connection. The GTH transceivers drive the MMCMs at the following maximum frequencies: 323 MHz for -1 speed grade devices, 350 MHz for -2 speed grade devices, or 350 MHz for -3 speed grade devices.
- The MMCM does not filter typical spread-spectrum input clocks because they are usually far below the bandwidth filter frequencies.
- The static offset is measured between any MMCM outputs with identical phase.
- Values for this parameter are available in the Clocking Wizard.
See http://www.xilinx.com/products/intellectual-property/clocking_wizard.htm.
- Includes global clock buffer.
- Calculated as $F_{VCO}/128$ assuming output duty cycle is 50%.
- When $CLKOUT4_CASCADE = TRUE$, F_{OUTMIN} is 0.036 MHz.
- In ISE software 12.3 (or earlier versions supporting the Virtex-6 family), the phase frequency detector Optimized bandwidth setting is equivalent to the High bandwidth setting. Starting with ISE software 12.4, the Optimized bandwidth setting is automatically adjusted to Low when the software can determine that the phase frequency detector input is less than 135 MHz.

Virtex-6 Device Pin-to-Pin Output Parameter Guidelines

All devices are 100% functionally tested. The representative values for typical pin locations and normal clock loading are listed in Table 65. Values are expressed in nanoseconds unless otherwise noted.

Table 65: Global Clock Input to Output Delay Without MMCM

Symbol	Description	Device	Speed Grade				Units
			-3	-2	-1	-1L	
LVCMOS25 Global Clock Input to Output Delay using Output Flip-Flop, 12mA, Fast Slew Rate, <i>without</i> MMCM.							
T _{ICKOF}	Global Clock input and OUTFF <i>without</i> MMCM	XC6VLX75T	4.91	5.32	5.88	6.02	ns
		XC6VLX130T	4.89	5.33	6.00	6.13	ns
		XC6VLX195T	5.02	5.46	6.13	6.27	ns
		XC6VLX240T	5.02	5.46	6.13	6.27	ns
		XC6VLX365T	5.30	5.75	6.43	6.37	ns
		XC6VLX550T	N/A	6.02	6.72	6.60	ns
		XC6VLX760	N/A	6.26	6.97	6.87	ns
		XC6VSX315T	5.40	5.85	6.54	6.49	ns
		XC6VSX475T	N/A	6.01	6.71	6.61	ns
		XC6VHX250T	5.18	5.63	6.30	N/A	ns
		XC6VHX255T	5.20	5.66	6.34	N/A	ns
		XC6VHX380T	5.38	5.84	6.53	N/A	ns
		XC6VHX565T	N/A	6.03	6.71	N/A	ns
		XQ6VLX130T	N/A	5.33	6.00	6.13	ns
		XQ6VLX240T	N/A	5.46	6.13	6.27	ns
		XQ6VLX550T	N/A	N/A	6.72	6.60	ns
		XQ6VSX315T	N/A	5.85	6.54	6.49	ns
XQ6VSX475T	N/A	N/A	6.71	6.61	ns		

Notes:

- Listed above are representative values where one global clock input drives one vertical clock line in each accessible column, and where all accessible IOB and CLB flip-flops are clocked by the global clock net.

Table 66: Global Clock Input to Output Delay With MMCM

Symbol	Description	Device	Speed Grade				Units
			-3	-2	-1	-1L	
LVCMOS25 Global Clock Input to Output Delay using Output Flip-Flop, 12mA, Fast Slew Rate, <i>with</i> MMCM.							
T _{ICKOFMMCMGC}	Global Clock Input and OUTFF <i>with</i> MMCM	XC6VLX75T	2.34	2.50	2.77	2.85	ns
		XC6VLX130T	2.35	2.51	2.78	2.87	ns
		XC6VLX195T	2.36	2.52	2.79	2.88	ns
		XC6VLX240T	2.36	2.52	2.79	2.88	ns
		XC6VLX365T	2.37	2.53	2.79	2.89	ns
		XC6VLX550T	N/A	2.55	2.82	2.93	ns
		XC6VLX760	N/A	2.54	2.82	2.92	ns
		XC6VSX315T	2.35	2.51	2.79	2.87	ns
		XC6VSX475T	N/A	2.43	2.70	2.79	ns
		XC6VHX250T	2.36	2.53	2.80	N/A	ns
		XC6VHX255T	2.46	2.63	2.91	N/A	ns
		XC6VHX380T	2.39	2.59	2.83	N/A	ns
		XC6VHX565T	N/A	2.54	2.81	N/A	ns
		XQ6VLX130T	N/A	2.51	2.78	2.87	ns
		XQ6VLX240T	N/A	2.52	2.79	2.88	ns
		XQ6VLX550T	N/A	N/A	2.82	2.93	ns
		XQ6VSX315T	N/A	2.51	2.79	2.87	ns
		XQ6VSX475T	N/A	N/A	2.70	2.79	ns

Notes:

1. Listed above are representative values where one global clock input drives one vertical clock line in each accessible column, and where all accessible IOB and CLB flip-flops are clocked by the global clock net.
2. MMCM output jitter is already included in the timing calculation.

Table 67: Clock-Capable Clock Input to Output Delay With MMCM

Symbol	Description	Device	Speed Grade				Units
			-3	-2	-1	-1L	
LVCMOS25 Clock-capable Clock Input to Output Delay using Output Flip-Flop, 12mA, Fast Slew Rate, <i>with</i> MMCM.							
T _{ICKOFMMCMCC}	Clock-capable Clock Input and OUTFF <i>with</i> MMCM	XC6VLX75T	2.22	2.38	2.63	2.72	ns
		XC6VLX130T	2.24	2.39	2.65	2.74	ns
		XC6VLX195T	2.24	2.40	2.65	2.75	ns
		XC6VLX240T	2.24	2.40	2.65	2.75	ns
		XC6VLX365T	2.25	2.42	2.65	2.76	ns
		XC6VLX550T	N/A	2.43	2.68	2.80	ns
		XC6VLX760	N/A	2.42	2.69	2.79	ns
		XC6VSX315T	2.23	2.38	2.65	2.73	ns
		XC6VSX475T	N/A	2.30	2.57	2.66	ns
		XC6VHX250T	2.25	2.41	2.67	N/A	ns
		XC6VHX255T	2.35	2.51	2.78	N/A	ns
		XC6VHX380T	2.27	2.43	2.69	N/A	ns
		XC6VHX565T	N/A	2.41	2.68	N/A	ns
		XQ6VLX130T	N/A	2.39	2.65	2.74	ns
		XQ6VLX240T	N/A	2.40	2.65	2.75	ns
		XQ6VLX550T	N/A	N/A	2.68	2.80	ns
		XQ6VSX315T	N/A	2.38	2.65	2.73	ns
		XQ6VSX475T	N/A	N/A	2.57	2.66	ns

Notes:

1. Listed above are representative values where one global clock input drives one vertical clock line in each accessible column, and where all accessible IOB and CLB flip-flops are clocked by the global clock net.
2. MMCM output jitter is already included in the timing calculation.

Virtex-6 Device Pin-to-Pin Input Parameter Guidelines

All devices are 100% functionally tested. The representative values for typical pin locations and normal clock loading are listed in Table 68. Values are expressed in nanoseconds unless otherwise noted.

Table 68: Global Clock Input Setup and Hold Without MMCM

Symbol	Description	Device	Speed Grade				Units
			-3	-2	-1	-1L	
Input Setup and Hold Time Relative to Global Clock Input Signal for LVCMOS25 Standard.⁽¹⁾							
T _{PSFD} / T _{PHFD}	Full Delay (Legacy Delay or Default Delay) Global Clock Input and IFF ⁽²⁾ without MMCM	XC6VLX75T	1.33/ 0.03	1.44/ 0.03	1.75/ 0.03	2.18/ -0.22	ns
		XC6VLX130T	1.31/ -0.08	1.54/ -0.08	1.88/ -0.08	2.31/ -0.12	ns
		XC6VLX195T	1.36/ -0.11	1.60/ -0.11	1.97/ -0.11	2.40/ -0.25	ns
		XC6VLX240T	1.36/ -0.11	1.60/ -0.11	1.97/ -0.11	2.40/ -0.25	ns
		XC6VLX365T	1.79/ -0.28	1.87/ -0.28	2.17/ -0.28	2.48/ -0.24	ns
		XC6VLX550T	N/A	2.22/ -0.12	2.36/ -0.12	2.77/ -0.26	ns
		XC6VLX760	N/A	2.19/ -0.24	2.35/ -0.24	2.71/ -0.21	ns
		XC6VVSX315T	1.75/ -0.09	1.85/ -0.09	2.06/ -0.09	2.47/ -0.24	ns
		XC6VVSX475T	N/A	2.14/ -0.14	2.31/ -0.14	2.71/ -0.30	ns
		XC6VHX250T	1.93/ -0.22	2.04/ -0.22	2.25/ -0.22	N/A	ns
		XC6VHX255T	1.81/ -0.33	2.11/ -0.33	2.56/ -0.33	N/A	ns
		XC6VHX380T	1.93/ -0.11	2.04/ -0.11	2.25/ -0.11	N/A	ns
		XC6VHX565T	N/A	2.20/ -0.12	2.39/ -0.12	N/A	ns
		XQ6VLX130T	N/A	1.54/ -0.08	1.88/ -0.08	2.31/ -0.12	ns
		XQ6VLX240T	N/A	1.60/ -0.11	1.97/ -0.11	2.40/ -0.25	ns
		XQ6VLX550T	N/A	N/A	2.36/ -0.12	2.77/ -0.26	ns
		XQ6VVSX315T	N/A	1.85/ -0.09	2.06/ -0.09	2.47/ -0.24	ns
		XQ6VVSX475T	N/A	N/A	2.31/ -0.14	2.71/ -0.30	ns

Notes:

1. Setup and Hold times are measured over worst case conditions (process, voltage, temperature). Setup time is measured relative to the Global Clock input signal using the slowest process, highest temperature, and lowest voltage. Hold time is measured relative to the Global Clock input signal using the fastest process, lowest temperature, and highest voltage.
2. IFF = Input Flip-Flop or Latch
3. A Zero "0" Hold Time listing indicates no hold time or a negative hold time. Negative values can not be guaranteed "best-case", but if a "0" is listed, there is no positive hold time.

Table 69: Global Clock Input Setup and Hold With MMCM

Symbol	Description	Device	Speed Grade				Units
			-3	-2	-1	-1L	
Input Setup and Hold Time Relative to Global Clock Input Signal for LVCMOS25 Standard.⁽¹⁾							
T _{PSMMCMGC} / T _{PHMMCMGC}	No Delay Global Clock Input and IFF ⁽²⁾ with MMCM	XC6VLX75T	1.45/ -0.18	1.57/ -0.18	1.72/ -0.18	1.78/ -0.08	ns
		XC6VLX130T	1.53/ -0.18	1.65/ -0.18	1.81/ -0.18	1.87/ -0.07	ns
		XC6VLX195T	1.54/ -0.17	1.66/ -0.17	1.82/ -0.17	1.87/ -0.08	ns
		XC6VLX240T	1.54/ -0.17	1.66/ -0.17	1.82/ -0.17	1.87/ -0.08	ns
		XC6VLX365T	1.55/ -0.18	1.67/ -0.18	1.83/ -0.18	1.87/ -0.07	ns
		XC6VLX550T	N/A	1.84/ -0.17	2.02/ -0.17	2.06/ -0.06	ns
		XC6VLX760	N/A	2.26/ -0.13	2.49/ -0.13	2.06/ -0.03	ns
		XC6VSX315T	1.56/ -0.18	1.68/ -0.18	1.84/ -0.18	1.89/ -0.08	ns
		XC6VSX475T	N/A	1.85/ -0.23	2.03/ -0.23	2.07/ -0.13	ns
		XC6VHX250T	1.52/ -0.17	1.64/ -0.17	1.80/ -0.17	N/A	ns
		XC6VHX255T	1.52/ -0.12	1.64/ -0.12	1.85/ -0.12	N/A	ns
		XC6VHX380T	1.68/ -0.16	1.81/ -0.16	1.99/ -0.16	N/A	ns
		XC6VHX565T	N/A	1.81/ -0.01	1.99/ -0.01	N/A	ns
		XQ6VLX130T	N/A	1.65/ -0.18	1.81/ -0.18	1.87/ -0.07	ns
		XQ6VLX240T	N/A	1.66/ -0.17	1.82/ -0.17	1.87/ -0.08	ns
		XQ6VLX550T	N/A	N/A	2.02/ -0.17	2.06/ -0.06	ns
		XQ6VSX315T	N/A	1.68/ -0.18	1.84/ -0.18	1.89/ -0.08	ns
		XQ6VSX475T	N/A	N/A	2.03/ -0.23	2.07/ -0.13	ns

Notes:

1. Setup and Hold times are measured over worst case conditions (process, voltage, temperature). Setup time is measured relative to the Global Clock input signal using the slowest process, highest temperature, and lowest voltage. Hold time is measured relative to the Global Clock input signal using the fastest process, lowest temperature, and highest voltage.
2. IFF = Input Flip-Flop or Latch
3. Use IBIS to determine any duty-cycle distortion incurred using various standards.

Table 70: Clock-Capable Clock Input Setup and Hold With MMCM

Symbol	Description	Device	Speed Grade				Units
			-3	-2	-1	-1L	
Input Setup and Hold Time Relative to Clock-capable Clock Input Signal for LVCMOS25 Standard.(1)							
T _{PSMMCMCC} / T _{PHMMCMCC}	No Delay Clock-capable Clock Input and IFF(2) with MMCM	XC6VLX75T	1.56/ -0.25	1.69/ -0.25	1.86/ -0.25	1.91/ -0.15	ns
		XC6VLX130T	1.64/ -0.25	1.78/ -0.25	1.95/ -0.25	2.00/ -0.14	ns
		XC6VLX195T	1.65/ -0.24	1.79/ -0.24	1.96/ -0.24	2.01/ -0.15	ns
		XC6VLX240T	1.65/ -0.24	1.79/ -0.24	1.96/ -0.24	2.01/ -0.15	ns
		XC6VLX365T	1.66/ -0.25	1.79/ -0.25	1.97/ -0.25	2.02/ -0.15	ns
		XC6VLX550T	N/A	1.97/ -0.24	2.16/ -0.24	2.19/ -0.14	ns
		XC6VLX760	N/A	2.39/ -0.20	2.63/ -0.20	2.21/ -0.10	ns
		XC6VSX315T	1.67/ -0.25	1.80/ -0.25	1.98/ -0.25	2.03/ -0.16	ns
		XC6VSX475T	N/A	1.98/ -0.29	2.17/ -0.29	2.21/ -0.20	ns
		XC6VHX250T	1.63/ -0.24	1.76/ -0.24	1.94/ -0.24	N/A	ns
		XC6VHX255T	1.63/ -0.19	1.76/ -0.19	1.99/ -0.19	N/A	ns
		XC6VHX380T	1.80/ -0.23	1.94/ -0.23	2.13/ -0.23	N/A	ns
		XC6VHX565T	N/A	1.94/ -0.08	2.13/ -0.08	N/A	ns
		XQ6VLX130T	N/A	1.78/ -0.25	1.95/ -0.25	2.00/ -0.14	ns
		XQ6VLX240T	N/A	1.79/ -0.24	1.96/ -0.24	2.01/ -0.15	ns
		XQ6VLX550T	N/A	N/A	2.16/ -0.24	2.19/ -0.14	ns
		XQ6VSX315T	N/A	1.80/ -0.25	1.98/ -0.25	2.03/ -0.16	ns
		XQ6VSX475T	N/A	N/A	2.17/ -0.29	2.21/ -0.20	ns

Notes:

1. Setup and Hold times are measured over worst case conditions (process, voltage, temperature). Setup time is measured relative to the Global Clock input signal using the slowest process, highest temperature, and lowest voltage. Hold time is measured relative to the Global Clock input signal using the fastest process, lowest temperature, and highest voltage.
2. IFF = Input Flip-Flop or Latch
3. Use IBIS to determine any duty-cycle distortion incurred using various standards.

Clock Switching Characteristics

The parameters in this section provide the necessary values for calculating timing budgets for Virtex-6 FPGA clock transmitter and receiver data-valid windows.

Table 71: Duty Cycle Distortion and Clock-Tree Skew

Symbol	Description	Device	Speed Grade				Units
			-3	-2	-1	-1L	
T_{DCD_CLK}	Global Clock Tree Duty Cycle Distortion ⁽¹⁾	All	0.12	0.12	0.12	0.12	ns
$T_{CKSKREW}$	Global Clock Tree Skew ⁽²⁾	XC6VLX75T	0.15	0.16	0.18	0.17	ns
		XC6VLX130T	0.25	0.26	0.29	0.28	ns
		XC6VLX195T	0.26	0.27	0.31	0.30	ns
		XC6VLX240T	0.26	0.27	0.31	0.30	ns
		XC6VLX365T	0.28	0.29	0.31	0.31	ns
		XC6VLX550T	N/A	0.50	0.54	0.54	ns
		XC6VLX760	N/A	0.51	0.56	0.56	ns
		XC6VSX315T	0.27	0.28	0.32	0.30	ns
		XC6VSX475T	N/A	0.39	0.44	0.42	ns
		XC6VHX250T	0.25	0.26	0.29	N/A	ns
		XC6VHX255T	0.35	0.37	0.41	N/A	ns
		XC6VHX380T	0.45	0.47	0.52	N/A	ns
		XC6VHX565T	N/A	0.46	0.51	N/A	ns
		XQ6VLX130T	N/A	0.26	0.29	0.28	ns
		XQ6VLX240T	N/A	0.27	0.31	0.30	ns
		XQ6VLX550T	N/A	N/A	0.54	0.54	ns
XQ6VSX315T	N/A	0.28	0.32	0.30	ns		
XQ6VSX475T	N/A	N/A	0.44	0.42	ns		
T_{DCD_BUFIO}	I/O clock tree duty cycle distortion	All	0.08	0.08	0.08	0.08	ns
T_{BUFIO_SKEW}	I/O clock tree skew across one clock region	All	0.03	0.03	0.03	0.02	ns
T_{BUFIO_SKEW2}	I/O clock tree skew across three clock regions	All	0.10	0.12	0.23	0.12	ns
T_{DCD_BUFR}	Regional clock tree duty cycle distortion	All	0.15	0.15	0.15	0.15	ns

Notes:

1. These parameters represent the worst-case duty cycle distortion observable at the pins of the device using LVDS output buffers. For cases where other I/O standards are used, IBIS can be used to calculate any additional duty cycle distortion that might be caused by asymmetrical rise/fall times.
2. The $T_{CKSKREW}$ value represents the worst-case clock-tree skew observable between sequential I/O elements. Significantly less clock-tree skew exists for I/O registers that are close to each other and fed by the same or adjacent clock-tree branches. Use the Xilinx FPGA_Editor and Timing Analyzer tools to evaluate clock skew specific to your application.

Table 72: Package Skew

Symbol	Description	Device	Package	Value	Units
T _{PKGSKEW}	Package Skew ⁽¹⁾	XC6VLX75T	FF484	95	ps
			FF784	146	ps
		XC6VLX130T	FF484	95	ps
			FF784	146	ps
			FF1156	165	ps
		XC6VLX195T	FF784	145	ps
			FF1156	182	ps
		XC6VLX240T	FF784	146	ps
			FF1156	182	ps
			FF1759	187	ps
		XC6VLX365T	FF1156	189	ps
			FF1759	184	ps
		XC6VLX550T	FF1759	196	ps
			FF1760	249	ps
		XC6VLX760	FF1760	236	ps
			FF1156	168	ps
		XC6VSX315T	FF1759	190	ps
			FF1156	168	ps
		XC6VSX475T	FF1759	204	ps
			FF1154	166	ps
		XC6VHX250T	FF1155	168	ps
			FF1923	228	ps
		XC6VHX380T	FF1154	159	ps
			FF1155	172	ps
			FF1923	227	ps
			FF1924	220	ps
		XC6VHX565T	FF1923	232	ps
			FF1924	197	ps
		XQ6VLX130T	RF784	146	ps
			RF1156	165	ps
			FFG1156	165	ps
		XQ6VLX240T	RF784	146	ps
			RF1156	182	ps
			FFG1156	182	ps
			RF1759	187	ps
		XQ6VLX550T	RF1759	196	ps
		XQ6VSX315T	RF1156	168	ps
			FFG1156	168	ps
			RF1759	190	ps
		XQ6VSX475T	RF1156	168	ps
FFG1156	168		ps		
RF1759	204		ps		

Notes:

1. These values represent the worst-case skew between any two SelectIO resources in the package: shortest flight time to longest flight time from Pad to Ball (7.0 ps per mm).
2. Package trace length information is available for these device/package combinations. This information can be used to deskew the package.

Table 73: Sample Window

Symbol	Description	Device	Speed Grade				Units
			-3	-2	-1	-1L	
T _{SAMP}	Sampling Error at Receiver Pins ⁽¹⁾	All	510	560	610	670	ps
T _{SAMP_BUFIO}	Sampling Error at Receiver Pins using BUFIO ⁽²⁾	All	300	350	400	440	ps

Notes:

1. This parameter indicates the total sampling error of Virtex-6 FPGA DDR input registers, measured across voltage, temperature, and process. The characterization methodology uses the MMCM to capture the DDR input registers' edges of operation. These measurements include:
 - CLK0 MMCM jitter
 - MMCM accuracy (phase offset)
 - MMCM phase shift resolution
 These measurements do not include package or clock tree skew.
2. This parameter indicates the total sampling error of Virtex-6 FPGA DDR input registers, measured across voltage, temperature, and process. The characterization methodology uses the BUFIO clock network and IODELAY to capture the DDR input registers' edges of operation. These measurements do not include package or clock tree skew.

Table 74: Pin-to-Pin Setup/Hold and Clock-to-Out

Symbol	Description	Speed Grade				Units
		-3	-2	-1	-1L	
Data Input Setup and Hold Times Relative to a Forwarded Clock Input Pin Using BUFIO						
T _{PSCS} /T _{PHCS}	Setup/Hold of I/O clock	-0.28/1.09	-0.28/1.16	-0.28/1.33	-0.18/1.79	ns
Pin-to-Pin Clock-to-Out Using BUFIO						
T _{ICKOFCS}	Clock-to-Out of I/O clock	4.22	4.59	5.22	5.63	ns

Revision History

The following table shows the revision history for this document:

Date	Version	Description of Revisions
06/24/2009	1.0	Initial Xilinx release.
07/16/2009	1.1	Revised the maximum V _{CCAUX} and V _{IN} numbers in Table 2, page 2. Removed empty column from Table 3, page 3. Revised specifications on Table 20, page 13. Updated Table 38, page 22 and added notes 1 and 2. Revised T _{DLYCCO_RDY} , T _{IDELAYCTRL_RPW} , and T _{IDELAYPAT_JIT} in Table 53, page 41. Updated Table 58, page 46 to more closely match the DSP48E1 speed specifications. Updated T _{TAPTCK} /T _{TCKTAP} in Table 59, page 49. Updated XC6VLX130T parameters in Table 68 through Table 70, page 59.
08/19/2009	1.2	Added values for -1L voltages and speed grade in all pertinent tables. Added V _{FS} and notes to Table 1 and Table 2. Removed DV _{PPIN} from the example in Figure 2. Added networking applications to Table 41, page 25. Changed and added to the block RAM F _{MAX} section in Table 57, page 44 including removing Note 12. Changed F _{PFDMAX} values and corrected units for T _{STATPHAOFFSET} and T _{OUTDUTY} in Table 64, page 52. Updated Table 71, page 60.
09/16/2009	2.0	Added Virtex-6 HXT devices to entire document including GTH Transceiver Specifications. Updated speed specifications as described in Switching Characteristics, includes changes in Table 51, Table 57, Table 58, and Table 66 through Table 70. Comprehensive changes to Table 14, Table 15, and Table 16. Added conditions to D _{VPPOUT} and revised description of T _{OSKEW} in Table 17. Removed V _{ISE} specification and note from Table 18. Added note 3 to Table 23. Updated note 3 in Table 24. Updated LVCMOS25 delays in Table 44. Updated specification for T _{IOTPHZ} in Table 46. Removed T _{BUFHSKEW} from Table 71, page 60 and added values for T _{BUFIOSKEW} . Added values in Table 74.

Date	Version	Description of Revisions
01/18/2010	2.1	<p>Changed absolute maximum ratings for both V_{IN} and V_{TS} in Table 1. Added data to Table 3. Added data to Table 5. Updated SSTL15 in Table 7. Updated V_{OCM} and V_{OD} values in Table 8. Added eFUSE endurance Table 12. Added values to $V_{MGTREFCLK}$ and V_{IN} in Table 13, page 11. Added values and updated tables in the GTX Transceiver Specifications and GTH Transceiver Specifications sections. Added Table 27 and Figure 4. Revised parameters and values in Table 39. Updated Table 40, page 23. Added data to Table 41. Updated speed specification to v1.04 with appropriate changes to Table 42 and Table 43 including production release of the XC6VLX240T for -1 and -2 speed grades. Speed specification changes and numerous updates also made to Table 44, and Table 49 through Table 71. Added data to Table 73 and Table 74.</p>
02/09/2010	2.2	<p>Revised description of C_{IN} in Table 3. Clarified values in Table 5. Fixed SDR LVDS unit error in Table 41.</p>
04/12/2010	2.3	<p>Added note 3 and update value of n in Table 3. Clarified simultaneous power-down in Power-On Power Supply Requirements. Updated external reference junction temperatures in Table 40, Analog-to-Digital Specifications. Updated speed specification to v1.05 with appropriate changes to Table 42 and Table 43 including production release of the XC6VLX130T for -1 and -2 speed grades. Fixed note 4 in Table 48. Increased the -2 specification for $F_{IDELAYCTRL_REF}$ and clarified units for $T_{IDELAYPAT_JIT}$ in Table 53. Added note 1 to Table 62.</p>
05/11/2010	2.4	<p>Updated F_{RXREC} in Table 22. Revised $F_{IDELAYCTRL_REF}$ in Table 53. Removed $T_{RCKO_PARITY_ECC}$: Clock CLK to ECCPARITY in standard ECC mode row in Table 57. Added XC6VLX130T values to Table 72.</p>
05/26/2010	2.5	<p>Added XC6VLX195T data to Table 5. Updated values in Table 22 including adding note 2 and note 3. Updated speed specification to v1.06 with appropriate changes to Table 42 and Table 43 including production release of the XC6VLX195T for -1 and -2 speed grades. Added XC6VLX195T values to Table 72.</p>
07/16/2010	2.6	<p>Changed Table 42 and Table 43 to production status on the -3 speed grade XC6VLX130T, XC6VLX195T, and XC6VLX240T devices. Added XC6VHX250T data to Table 4 and Table 72. Added Note 6 to Table 64.</p>
07/23/2010	2.7	<p>Changed Table 42 and Table 43 to production status on the XC6VLX75T, XC6VLX365T, XC6VLX550T, XC6VLX760, XC6VSX315T, and XC6VSX475T devices using ISE 12.2 software with speed specification v1.08. Updated $V_{CMOUTDC}$ equation to $MGTAVTT - D_{VPP_OUT}/4$ in Table 17. Updated some -3, -2, -1 specifications in Table 65 through Table 72. Added and updated -1L specifications to Table 41 and for most switching characteristics tables.</p>
07/30/2010	2.8	<p>Changed Table 42 and Table 43 to production status on the -1L speed grade for the XC6VLX130T, XC6VLX195T, XC6VLX240T, XC6VLX365T, and XC6VLX550T devices using ISE 12.2 software with current speed specifications. Also updated the speed specifications for XC6VLX75T, XC6VLX550T, and XC6VSX315T. Updated V_{CCINT} specifications for -1L speed grade industrial temperature range devices in Table 2.</p>
09/20/2010	2.9	<p>In Table 32, changed $F_{GPLLMAX}$ specification in -3 column from 5.951 to 5.591. In Table 40, changed F_{MAX} for the DCLK from 250 MHz to 80 MHz.</p>
10/18/2010	2.10	<p>The specification change in version 2.9, Table 40 is described in XCN10032, <i>Virtex-6 FPGA: GTX Transceiver User Guide, Family Data Sheet (SYSMON DCLK), and JTAG ID Changes</i> In this version (2.10), -1L(I) data is added to Table 4 and clarified in Note 2. Changed Table 42 and Table 43 to production status on the -1L speed grade XC6VLX75T, XC6VLX760, XC6VSX315T, and XC6VSX475T devices using ISE 12.3 software with current speed specifications. Revised the XC6VLX760 -1L speed specification for $T_{PHMMCMGC}$ in Table 69 and $T_{PHMMCMCC}$ in Table 70.</p>
01/17/2011	2.11	<p>Changed in Table 42 and Table 43 to production status on the XC6VHX250T devices using ISE 12.4 software with current speed specifications. Added industrial temperature range (T_I) recommended specifications to Table 2; including specific ranges for the -2I XC6VSX475T, XC6VLX550T, XC6VLX760, and XC6VHX565T devices. Added note 3 to Table 36 and maximum total jitter values. Added note 4 to Table 37 and maximum sinusoidal jitter values. Added note 2 to Table 43. Revised F_{MAX} descriptions in Table 57 and added note 12. Added note 8 to F_{PFDMIN} in Table 64. The following revisions are due to specification changes as described in XCN11009, <i>Virtex-6 FPGA: Data Sheet, User Guides, and JTAG ID Updates</i>. In Table 59: Configuration Switching Characteristics, page 49, revised -1L specifications for T_{POR}, F_{MCCK}, $F_{MCCKTOL}$, $T_{SMCSCCK}$, T_{SMCCKW}, F_{RBCKK}, F_{TCK}, F_{TCKB}, T_{MCCKL}, and T_{MCCKH}. In Table 64: MMCM Specification, added bandwidth settings to F_{PFDMIN} and added note 1.</p>

Date	Version	Description of Revisions
02/08/2011	2.12	Removed note 1 from Table 4 as the larger devices (XC6VLX550T, XC6VLX760, XC6VSX475T, and XC6VHX565T) are now offered in -2I. Updated Table 4 and Table 5 with data for the XC6VHX380T in the FF(G)1154 package. In Table 41 , updated -1L specification for DDR3. Added Note 1 to Table 42 . Moved the XC6VHX380T devices in the FF(G)1154 package to production release in Table 43 using ISE 12.4 software with current speed specifications. Updated description for F_{INDUTY} in Table 64 .
02/25/2011	3.0	Designated the data sheet as Preliminary for all devices not already labeled production in Table 42 . Changed the XC6VHX380T devices in all packages to production status in Table 42 and Table 43 . Removed note 1 from Table 42 . Added maximum specifications to Table 25 . Updated $T_{HAVCC2HAVCCR}$ in Table 27 . Updated the typical values and notes in Table 28 and Table 29 . Added values to Table 30 and Table 31 . In Table 34 , added values for T_{LOCK} and T_{PHASE} . Updated the values in Table 36 and added note 3. Updated Table 37 and added note 4.
03/21/2011	3.1	Updated Table 2 including Note 7 . In Table 4 , added Note 3 and -2E, extended temperature range to the XC6VLX550T, XC6VLX760, XC6VSX475T, and XC6VHX380T devices, and added Note 5 for the XC6VHX565T. Updated Table 28 typical values. Updated the description for $F_{IDELAYCTRL_REF}$ in Table 53 . Updated F_{MCCK} in Table 59 .
04/01/2011	3.2	Added T_j values for C, E, and I temperature ranges to Table 2 . Updated the I_{CCQ} values in Table 4 . Updated F_{GCLK} in Table 34 . Designated the data sheet as Production for all devices not already labeled production in Table 42 . Changed the XC6VHX255T and XC6VHX565T devices in all packages to production status in Table 42 and Table 43 . This included updates to the Virtex-6 Device Pin-to-Pin Output Parameter Guidelines and Virtex-6 Device Pin-to-Pin Input Parameter Guidelines for these devices. Production speed specifications for these devices are available using the speed specification v1.14 in the ISE 13.1 software update. Updated and added package skew values to Table 72 ; these values are correct with regards to previous production released speed specifications in software. Updated copyright page 1 and Notice of Disclaimer .
12/08/2011	3.3	Production release of the Defense-grade XQ devices in Table 42 and Table 43 using ISE v13.3 v1.17 Patch for -2 and -1 speed specifications; and v1.10 for -1L speed specifications. Added the XQ6VLX130T, XQ6VLX240T, XQ6VLX550T, XQ6VSX315T, and XQ6VSX475T to the data sheet which included adding Table 45 . Updated T_j in Table 2 . In Table 40 , updated T_j for most specifications and added Note 4 . Added Note 4 to Table 41 . Added -1(XQ) speed specification columns only to Table 50 , Table 51 , Table 52 , and Table 58 . Updated V_{OD} in Table 8 , V_{OCM} in Table 9 , and V_{OCM} and V_{DIFF} in Table 10 . Updated the Power-On Power Supply Requirements section. In Table 27 , updated maximum specification for $T_{HAVCC2HAVCCR}$ and added Note 3 . Updated T_j in Table 40 . In Table 41 , increased the DDR LVDS receiver (SPI-4.2) -1 speed grade performance value from 1.0 Gb/s to 1.1 Gb/s. In Table 60 , updated the F_{MAX} to add a separate row for the LX760 device values. The speed specifications in the software tools have always matched these values for the LX760, the data sheet is now correct. Updated the notes for $T_{OUTJITTER}$ in Table 64 .
01/12/2012	3.4	Added the temperature range -2E to Note 5 in Table 4 .
05/17/2013	3.5	Added the DIFF_SSTL15 I/O standard to Table 7 . Added Note 1 to Table 18 .
03/18/2014	3.6	Updated Note 8 in Table 64 . Updated Notice of Disclaimer .

Notice of Disclaimer

The information disclosed to you hereunder (the "Materials") is provided solely for the selection and use of Xilinx products. To the maximum extent permitted by applicable law: (1) Materials are made available "AS IS" and with all faults, Xilinx hereby DISCLAIMS ALL WARRANTIES AND CONDITIONS, EXPRESS, IMPLIED, OR STATUTORY, INCLUDING BUT NOT LIMITED TO WARRANTIES OF MERCHANTABILITY, NON-INFRINGEMENT, OR FITNESS FOR ANY PARTICULAR PURPOSE; and (2) Xilinx shall not be liable (whether in contract or tort, including negligence, or under any other theory of liability) for any loss or damage of any kind or nature related to, arising under, or in connection with, the Materials (including your use of the Materials), including for any direct, indirect, special, incidental, or consequential loss or damage (including loss of data, profits, goodwill, or any type of loss or damage suffered as a result of any action brought by a third party) even if such damage or loss was reasonably foreseeable or Xilinx had been advised of the possibility of the same. Xilinx assumes no obligation to correct any errors contained in the Materials, or to advise you of any corrections or update. You may not reproduce, modify, distribute, or publicly display the Materials without prior written consent. Certain products are subject to the terms and conditions of Xilinx's limited warranty, please refer to Xilinx's Terms of Sale which can be viewed at www.xilinx.com/legal.htm#tos; IP cores may be subject to warranty and support terms contained in a license issued to you by Xilinx. Xilinx products are not designed or intended to be fail-safe or for use in any application requiring fail-safe performance; you assume sole risk and liability for use of Xilinx products in such critical applications, please refer to Xilinx's Terms of Sale which can be viewed at www.xilinx.com/legal.htm#tos.

AUTOMOTIVE APPLICATIONS DISCLAIMER

XILINX PRODUCTS ARE NOT DESIGNED OR INTENDED TO BE FAIL-SAFE, OR FOR USE IN ANY APPLICATION REQUIRING FAIL-SAFE PERFORMANCE, SUCH AS APPLICATIONS RELATED TO: (I) THE DEPLOYMENT OF AIRBAGS, (II) CONTROL OF A VEHICLE, UNLESS THERE IS A FAIL-SAFE OR REDUNDANCY FEATURE (WHICH DOES NOT INCLUDE USE OF SOFTWARE IN THE XILINX DEVICE TO IMPLEMENT THE REDUNDANCY) AND A WARNING SIGNAL UPON FAILURE TO THE OPERATOR, OR (III) USES THAT COULD LEAD TO DEATH OR PERSONAL INJURY. CUSTOMER ASSUMES THE SOLE RISK AND LIABILITY OF ANY USE OF XILINX PRODUCTS IN SUCH APPLICATIONS.



In Clear Electronics

WWW.IC-1000.COM

THE DATASHEET OF FPGA



www.ic-1000.com



info@ic-1000.com



[+00852-56412601](tel:+00852-56412601)



[+00852-56412601](https://wa.me/0085256412601)



Unit B, 13/F, Shing Lee Commercial Building
No.8 Wing Kut Street, Central HK